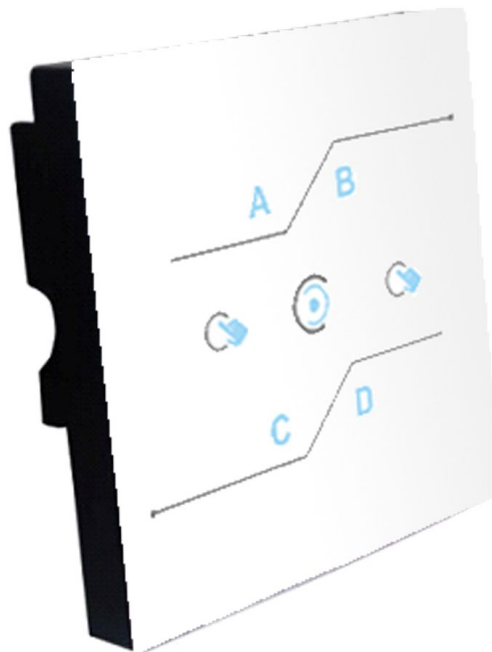




DL104 Dali Scene Panel

Product specification





Contents

1. Summary.....	2
2. technical parameters.....	2
3. external dimension.....	2
4. interface instruction.....	3
5. keys instruction.....	3
6. using instruction.....	4
7. collocation method.....	5-7
8. typical applying.....	8
9. notes.....	8



1. Summary

DALI (Digital Addressable Lighting Interface) is an international standard, popular lighting control protocol, with digital addressing dimming, stable, various dimming ways, easy to install, compatible with many big factories such characteristic.

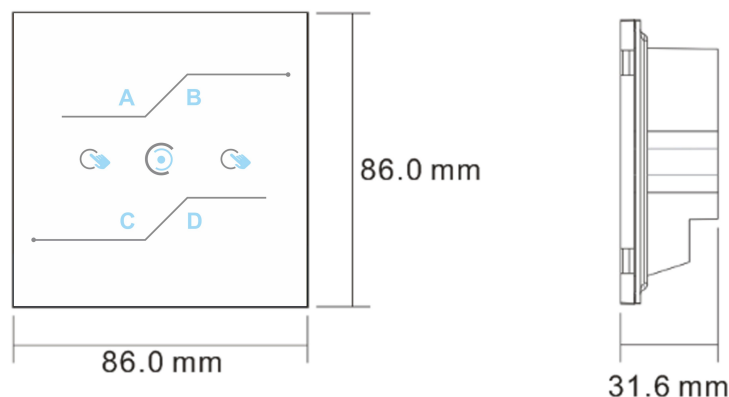
DL104 host uses advanced computer chips, cooperated with PC software and DL100 control equipment of the DALI bus. It play a bridge role between the PC and DALI control equipment , make originally the independent individual to connect in a centralized control system, and make lighting control more intelligent.

This product updates and upgrades on the basis of the previous products , have more powerful function, can through the PC software configuration button for the function of the scene, grouping or equipment.

2. technical parameters

- 2.1 power supply : DALI bus
- 2.2 input signal : touch panel
- 2.3 output signal : standard DALI signal
- 2.4 working temperature : -20-60 °C
- 2.5 input current : $\leq 6\text{mA}$
- 2.6 gross weight : 195.6g
- 2.7 net weight : 139.5g
- 2.8 packing size : L100×W80×H75 mm

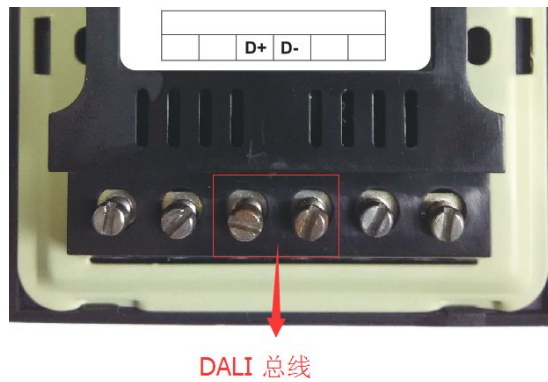
3. external dimension:



picture 1

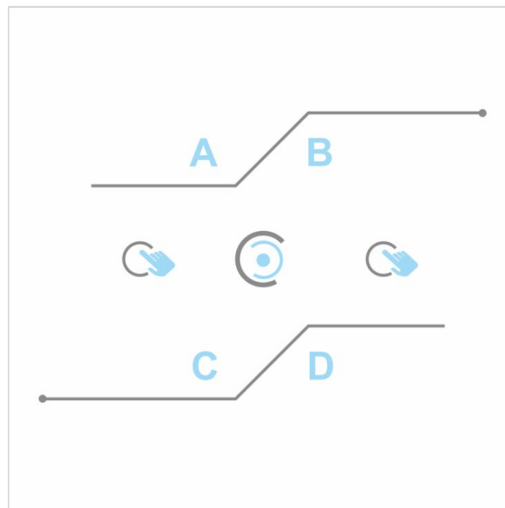


4. interface instruction :



Picture 2

5. keys instruction



Picture 3

Picture 3 is the panel picture, A,B,C,D all can be respectively set to scene, grouping, and device function.

Picture 4 shows the function of buttons

General settings	
Button	Default values
A	Scene 1(programmable)
B	Scene 1(programmable)
C	Scene 1(programmable)
D	Scene 1(programmable)
	Dim darker
	Switch on;dim brighter
	Switch off

Picture 4



6. using intruction

DALI touch panel support the user defined keys, and can set it to pointed scene, grouping and device. Please refer to the following 《collocation method》.

When the first using, A、B、C、D, the default of these four keys function must be set to scene 0、1、2、3.

6.1 scene control

When a user configured keys to scene function, touch the corresponding key, and all touch panel equipment on the same bus will be executed scene 0, the left and right key are not available at this time (the left and right key can only be used for grouping and dimming of the equipment), press the close button to close the brightness.

6.2 grouping control:

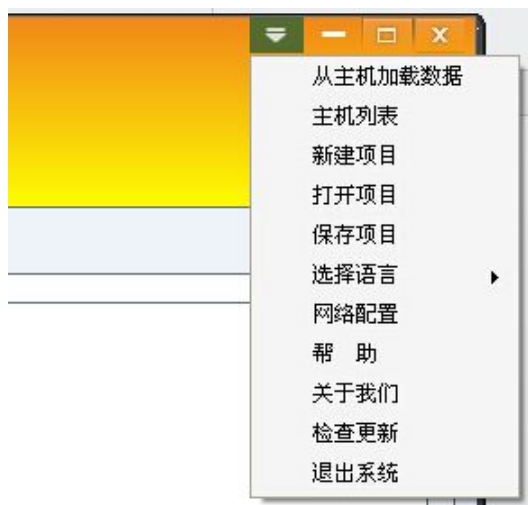
When a user configured the button into grouping functions, touch button can select the set grouping, the chosen session which is selected can close brightness output at this time, and then touch the left and right key to dimmer the chosen grouping, touch the off button to shut down the output equipment.

6.3 device control

When a user configured the button into equipment function, touch keys can light all device set, and then touch left and right key to dimmer the device chosen, touch the off button to shut down the output equipment.

7. collocation method

Step1: connect to the DALI wire and connect the DALI network host, then open the software(LY-Commerical Lighting), click the “host list” on top right corner as picture 5 shows. Then the list will appear as pictu6 shows:



Picture 5



Picture 6

Step2 : select the host which need to operate, click “search wire” and the picture7 will happen, the network host will ring once and shows that it starts to search host. It will ring once again when searching ends. Click the “searching ” again and will see this host has searched 3 device(there are 3 kinds device in our routine) as the picture 8 shows.



Picture 7

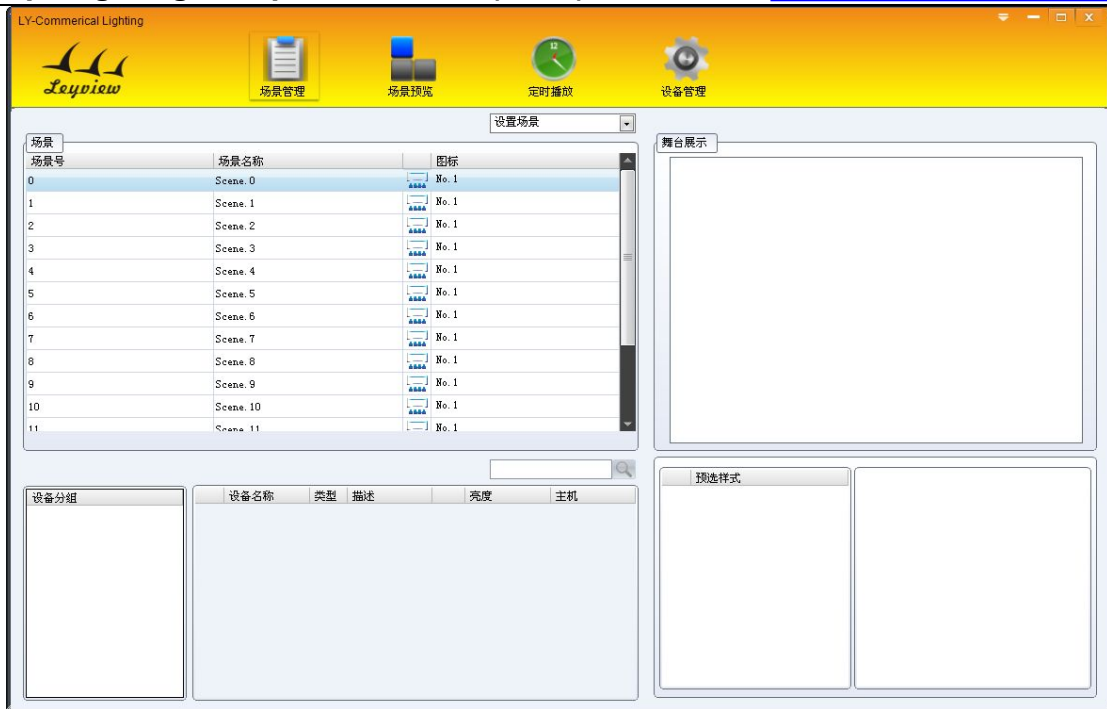


Picture 8

Step 3: click “upload data” and wait for the ending, it will cost several mins to finish as the picture9 shows. When the upload ends, it will go into main design visual , as picture 10 shows.



Picture 9



Picture 10

Step4 : click the “device management ” and set the keys according to picture 11, every keys can be set to scene, grouping and device, as picture 12. When the setting ends, the panel will be used.



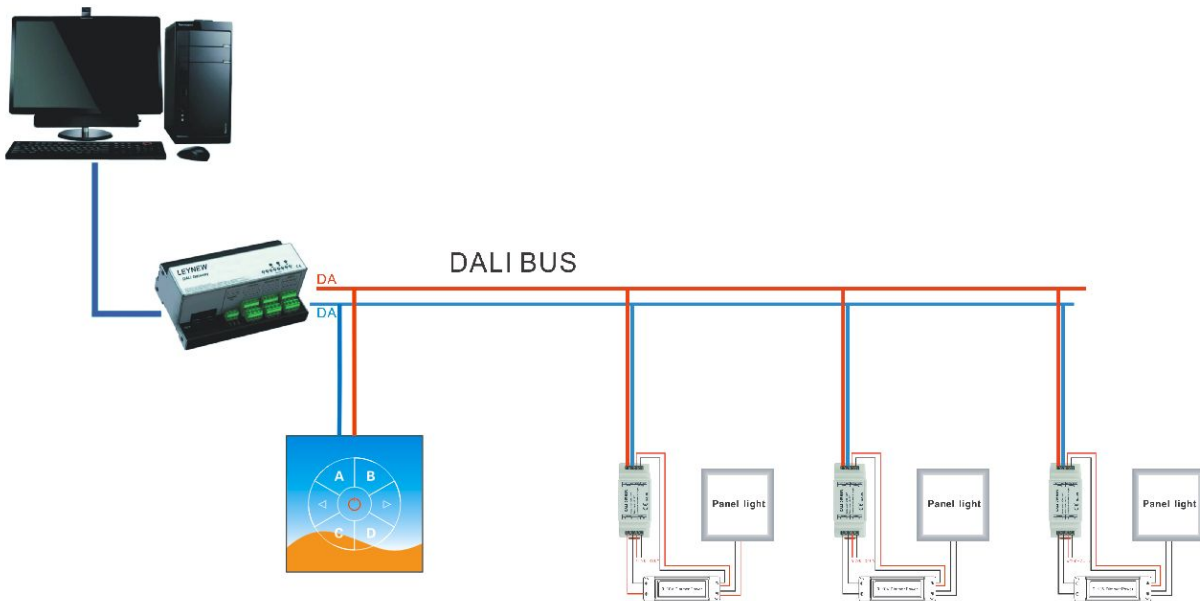
Picture 11



Picture 12



8. typical applying



Picture 13

9. notes:

9.1 The supply way of this product is DALI bus supply (DC17V) , mustn' t use the high voltage supply.