
LYEF05D 4 CH 5A rail 0-10V dimmer

Product Specification



Contents

1. Summarize of produce.....	2
2. Controller Technical Parameters.....	2
3. External dimension.....	2
4. Key Interface Instructions.....	3
5. Basic operation methods.....	3-4
6. Application system diagram.....	5
7. Attention matters.....	5
8. Trouble remova.....	6

1. Summarize of produce

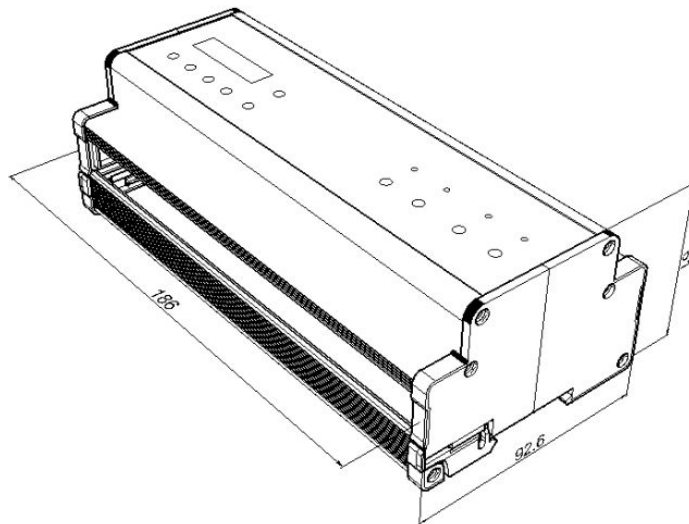
The product is our company general lighting control system of 0 ~ 10 v dimmer extension,

the extension support two kinds of agreement, can output 4 circuit, per circuit includes a set of AC output power and a set of DC 0 - 10 v analog output, the extension receives the widespread adoption of international DMX - 512 standard protocol, DMX control signal can be converted into 0 ~ 10 v analog voltage signal to drive leds, can control of extension set single zone and more zone. Support compatible with yong Lin EDX protocol, with software and control panel.

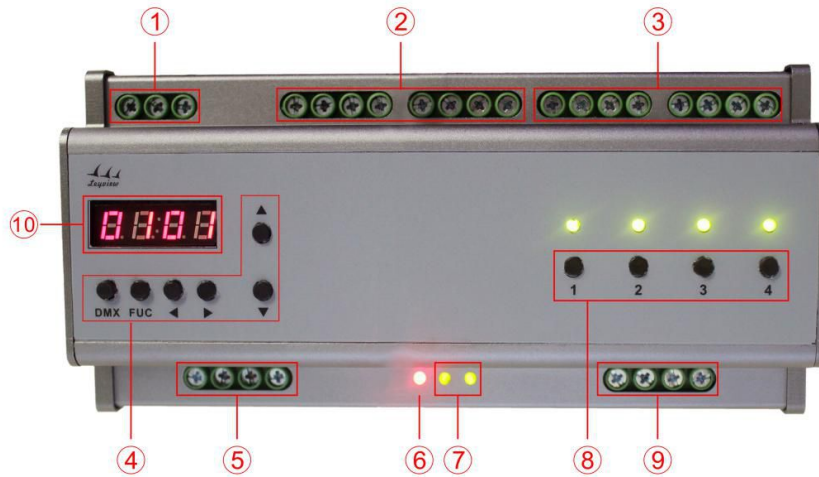
2. Controller Technical Parameters

- 2.1 input power: AC100-240V
- 2.2 output: each circuits 5A
- 2.3 Communication protocol: EDX/DMX-512
- 2.4 Working temperature: -20-60°C
- 2.5 working power consumption : <2W
- 2.6 installation: 5MM rail
- 2.7 Signal connector : 4 PIN Green terminal station 5.0mm
- 2.8 output: 4 circuits PWM common-cathode, 4 circuits 0-10V
- 2.9 Packing dimension:
- 2.10 External dimension: 186(W)×92(H)×61(D)mm
- 2.11 Net Weight:
- 2.12 Gross Weight:

3. External dimension



4. Key Interface Instructions



serial number	function	Instructions
1	power input port	the AC power input terminal (100-240)
2	Dc output port	the DC output terminal (0-10V)
3	ac power	the AC power output terminal
4	function key	FCN DMX ▲ ▼ ◀▶
5	DMX/EDX connection port	Connection D + and D - signal lines
6	Power light	When power on ,the power light bright
7	DMX communications light	Often off, extension and host in communication,the light flash
8	Real-time output button1 2 3 4	by key real-time control 0 ~ 10 v output
9	Digital display screen	the display Setting the parameters

5. Basic operation methods

5.1 Setting DMX address

Press “DMX” at the same time to press **▲** or **▼** , can adjust the DMX IN starting circuit.As picture,set 1as DMX starting address



5.2 Check current output values for circuits

In the main interface press ◀ or ▶ button, can check circuit output value, can see the top two in flashing. Press right key, so you can switch to dimming output editor, behind two LED digital tube in flashing, press 【DMX】 exit back to the main interface. As picture, the second circuit is 99.



5.3 Regional Setting

For EDX protocol, the user must be set before using equipment regional code. The code is divided into two parts: the first part is the regional, the second part number as the starting circuit.

Press the function keys, adjusted to the function of the regional setting, at that time the top two LED digital tube flashes, press 【▲】 or 【▼】 key to modify the current regional number. Press right/left keys so you can switch to the adjustment of the starting circuit, at this stage, you will find that behind two numbers in the flashing, at the same time press 【▲】 or 【▼】 key can modify the starting circuit.

As picture :the regional is 1, the starting circuit is 1.



5.4 Scenario editing store

Scenario editing is finished, press the DMX key, then press 【1】 key, can save the current output to scenario 1.

The other scenario save like this:

SCENE2: 【DMX】 + 【2】

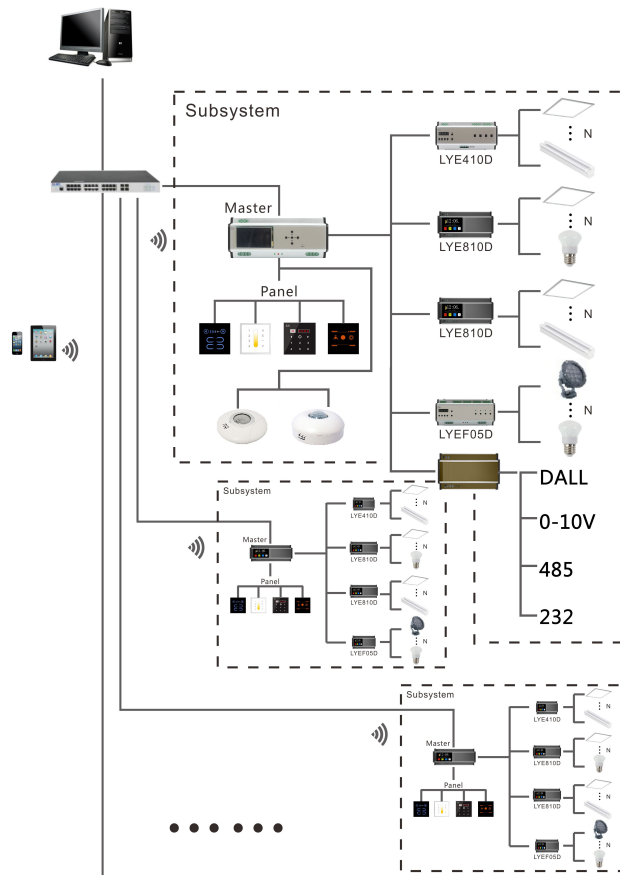
SCENE3: 【DMX】 + 【3】

SCENE4: 【DMX】 + 【4】

SCENE5: 【DMX】 + 【FCN】 + 【1】

SCENE6: 【DMX】 + 【FCN】 + 【2】

6. Application system diagram



Application system diagram

7. Attention matters

- 7.1 Please do not install the controller in a closed or high pressure, high magnetic field area
- 7.2 In order to reduce the risk of short-circuit fire and device damage, please make sure the right connection
- 7.3 To ensure the installation in a ventilation area to ensure the right temperature
- 7.4 Check whether the voltage and the power supply is matching the controller
- 7.5 Before power on, please check whether the circuit is properly connected, and instrument test whether there is a short circuit
- 7.6 When there is a problem, please don't open the shell of the controller optionally.
- 7.7 This manual is only applicable to this type controller, if any updated without prior notice

8. Trouble removal

serial number	phenomenon	reason	solution
1	No output load	<ol style="list-style-type: none">1. no power2. Output overload3. D+ and D- inversely connect	<ol style="list-style-type: none">1. Check the power supply2. check connect line