

DALI touch panel



Manual
www.ltech-led.com

Product features

- Latest DALI standard protocol IEC62386.
- Support switch and dimming function.
- DALI bus supply power.
- The DIP switch can set address.
- Support scene, group, unicast, broadcast mode.

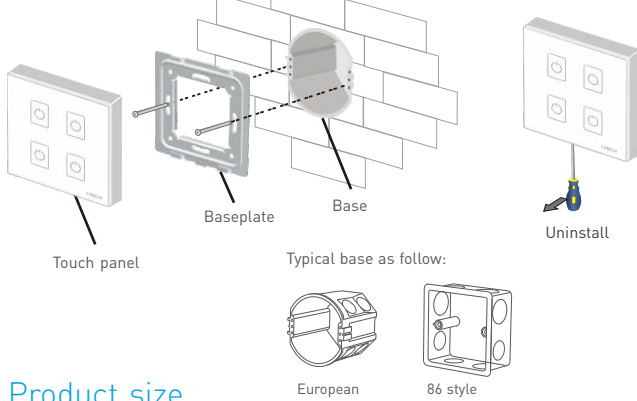
Technical specs

DALI touch panel

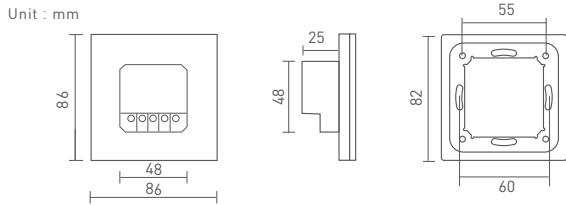
Power supply:	DALI power	Static current:	6mA@16V
Output signal:	DALI	Standby current:	4mA@16V
Dimming key:	EDA1: 1CH control	Working temperature:	-30°C~55°C
	EDA2: 2CH control	Dimensions:	L86×W86×H37(mm)
	EDA3: 3CH control	Package size:	L113×W112×H50(mm)
	EDA4: 4CH control	Weight(G.W.):	200g



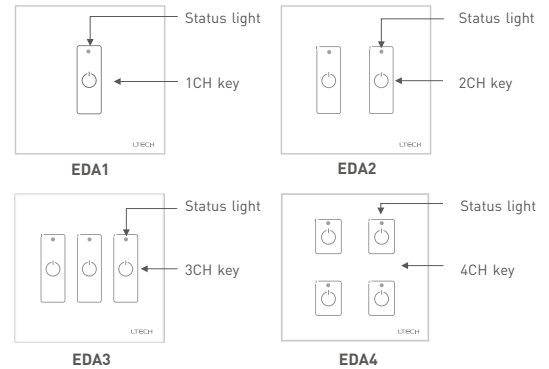
Installation Instruction



Product size

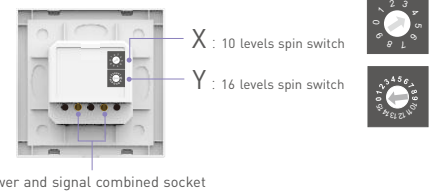


Touch panel



* Short press: switch; long press: dimming (suitable for unicast, broadcast and group mode).

Terminals



DALI address setting

X= [0-6]: unicast mode; X= 7: group mode; X= 8: scene mode; X= 9: broadcast mode.
Via spin switch, you can set 64 unicast addresses(0-63), 16 group addresses(0-15), 16 scene addresses(0-15) and broadcast address.

Unicast mode (address:0-63)



E.g.: Set initial address to 40 in unicast mode.



Group mode (address:0-15)



E.g.: Set initial address to 5 in group mode.



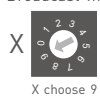
Scene mode (address:0-15)



E.g.: Set initial address to 14 in scene mode.



Broadcast mode



Wiring diagram

