

LT-3200-6A Constant Voltage LED Dimmer



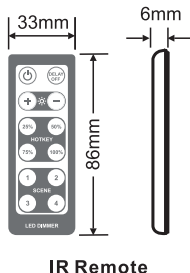
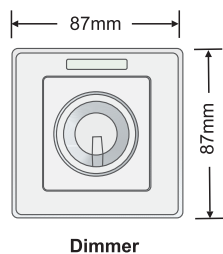
LT-3200 series LED intelligent dimmer is dedicated to adjust the brightness of LED lights, which adopted the most advanced PWM (Pulse-Width Modulation) digital brightness-adjusting technology, users can either operate manually or use the IR wireless remote controller to control the brightness in the distance, they are suitable for commercial and household 86-style socket installation, the socket can be installed outside or inside the wall. LED intelligent dimmer can meet different brightness requirements at different time, and can extend life of LED, suitable for adjusting the brightness of both low-power and hi-power LED illumination lights, energy-saving.

1. Product Parameter:

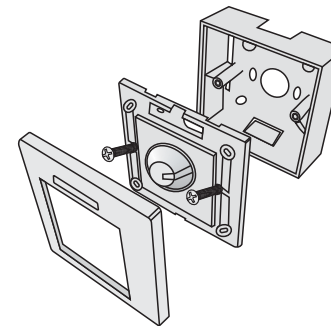
LT-3200-6A

- Input Voltage: 12 ~ 48VDC
- Output Signal: CV PWM
- Max Load Current: 6A
- Max Output Power: 72W/144W/216W/288W (12V/24V/36V/48V)
- Dimming Range: 0-100%
- Grey Scale Level: 4096 levels
- Working Temperature: -30°C~55°C
- Switch Dimensions: L87×W87(mm)
- Remote Dimensions: L86×W33(mm)
- Packaging Dimensions: L96×W91×H61(mm)
- Weight (G.W): 175g

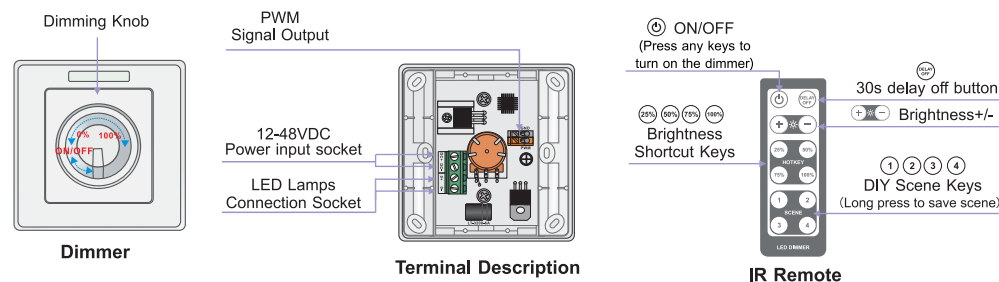
2. Product Size:



3. Installation Instruction:

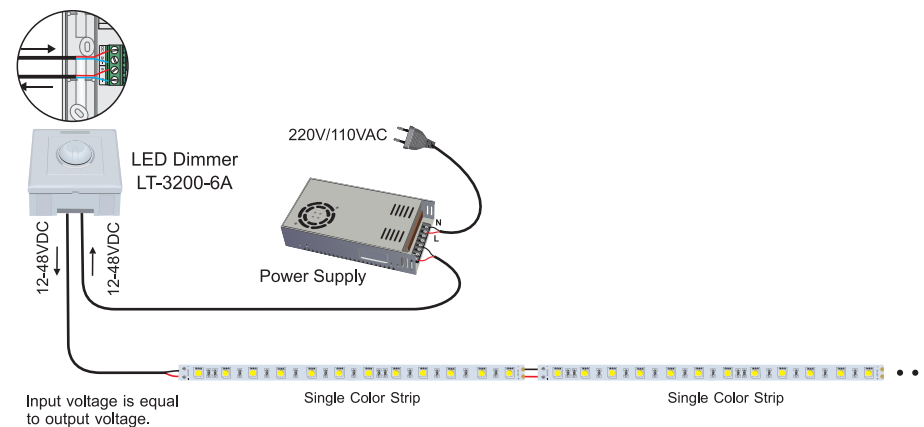


4. Key Functions and Terminal Instruction:

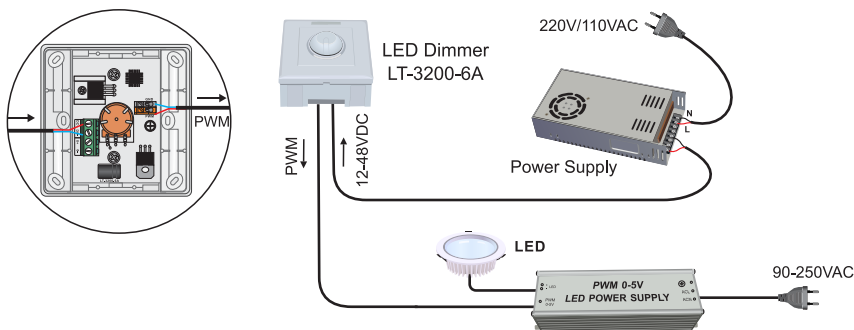


5. Wiring Diagram:

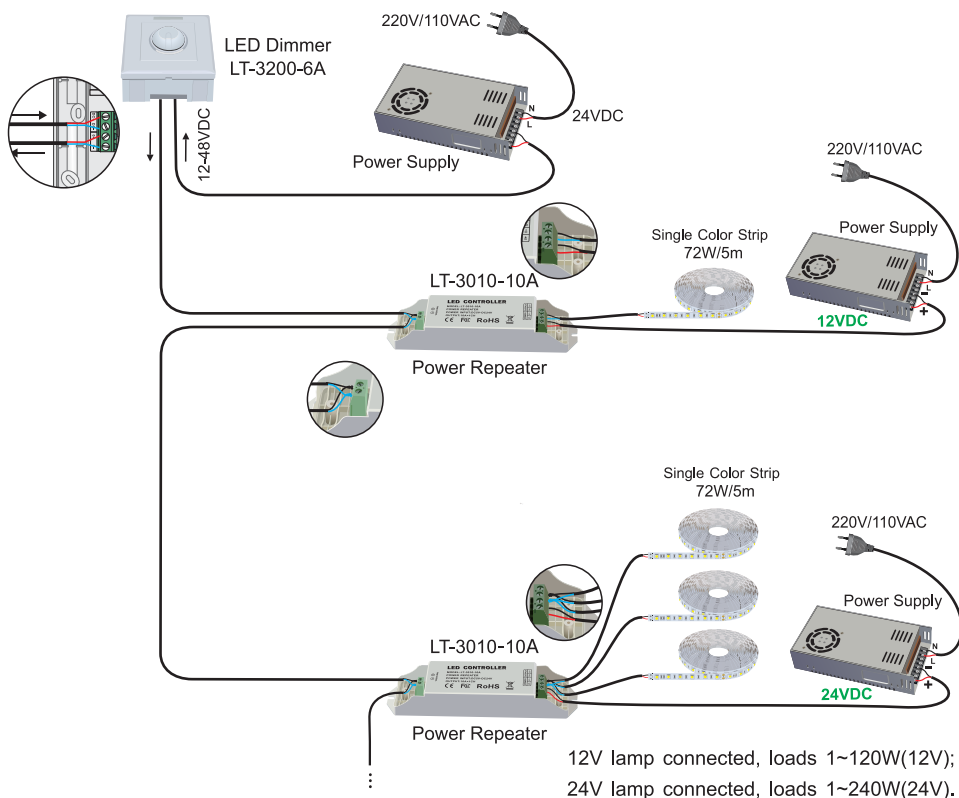
5.1 Connecting LED lights:



5.2 Offer PWM dimming signal to drive other equipment:



5.3 You can add our constant voltage power repeater LT-3010-10A to expand power output unlimitedly.



6. Attention:

- 1) The product shall be installed and serviced by a qualified person.
- 2) This product is non-waterproof. Please avoid the sun and rain. When installed outdoors, please ensure it is mounted in a water proof enclosure.
- 3) Good heat dissipation will prolong the working life of the controller. Please ensure good ventilation.
- 4) Please check if the output voltage of any LED power supplies used comply with the working voltage of the product.
- 5) Please ensure that adequate sized cable is used from the controller to the LED lights to carry the current. Please also ensure that the cable is secured tightly in the connector.
- 6) Ensure all wire connections and polarities are correct before applying power to avoid any damages to the LED lights.
- 7) If a fault occurs please return the product to your supplier. Do not attempt to fix this product by yourself.

7. Warranty Agreement:

- 1) We provide lifelong technical assistance with this product:
 - A 5-year warranty is given from the date of purchase. The warranty is for free repair or replacement and covers manufacturing faults only.
 - For faults beyond the 5-year warranty we reserve the right to charge for time and parts.
 - 2) Warranty exclusions below:
 - Any man-made damages caused from improper operation, or connecting to excess voltage and overloading.
 - The product appears to have excessive physical damage.
 - Damage due to natural disasters and force majeure.
 - Warranty label, fragile label and unique barcode label have been damaged.
 - The product has been replaced by a brand new product.
 - 3) Repair or replacement as provided under this warranty is the exclusive remedy to the customer. LTECH shall not be liable for any incidental or consequential damages for breach of any stipulation in this warranty.
 - 4) Any amendment or adjustment to this warranty must be approved in writing by LTECH only.
- ★This manual only applies to this model. LTECH reserves the right to make changes without prior notice.