

Product Specifications

Name: Waterproof DMX Decoder
Model: LN-DMXTCON(FS)-3CH-LV



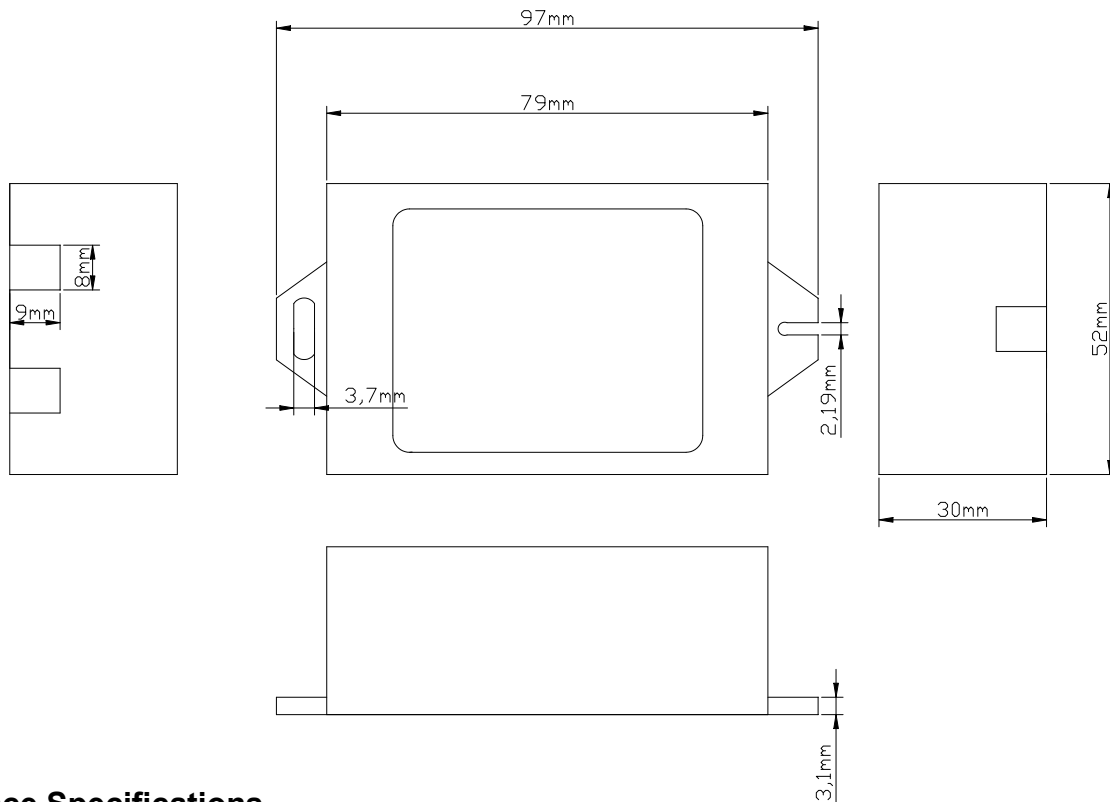
Summarization

DMX common controller using advanced computer control chip, receiving international widely used DMX-512 standard digital control signal, convert PWM control signal to drive LED; can connect with DMX digital console, to realize dimming or various program changes.

Technical Parameters

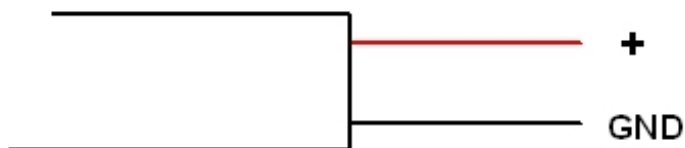
- Working temperature: -20-60°C
- Supply voltage: DC 12-24V
- Output: 3 channel
- Connecting mode: common anode
- Gray series: 256
- External dimension: L97*W52*H30mm
- Packing size: L145*W95*H50mm
- Net weight: 175g
- Gross weight: 210g
- Output current: <4A (each channel)
- Static power consumption: <1W
- Output power: 12V<144W, 24V<288W

External Dimension



Interface Specifications

Power input interface:



Adopt two sheath wires as power input interface line, meanwhile: **Red wire: + Black wire: -**

signal input interface:



Adopt four sheath wires as signal output interface line, meanwhile:

White wire: + Red wire: R Green line: G Blue wire: B

DMX input interface:



Adopt three sheath wires as DMX signal input interface line, meanwhile:

Red wire: D+ Green wire: D- Blue wire: GND

Direction for use

1. According to DMX decoder panel silk-screen prompt, in sequence to connect the input and output signal wire. **Please ensure short circuit can not occur between connecting wire before you turn on the power.**
2. In the absence of receiving DMX signal, the module will achieve a seven color gradual changing mode(built-in function).
3. Receiving DMX signal, the built-in function is not available, it will be controlled by computer console control.
4. You could set the address code of module (from 1 to 1022) through the DMX editor of our company.

Typical Applications

LED lamps and lanterns connection:

