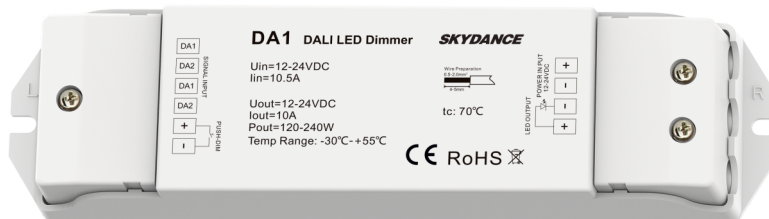


# 1 Channel Constant Voltage DALI LED Dimmer



Model No.: DA1

1 Channel/Constant voltage/10A output/PMW dimming/Push Dim



CE RoHS

## Features

- Constant voltage DALI LED Dimmer with 1 channel, 10A output.
- In accordance with DALI standard protocol IEC 62386-102, IEC 62386-207 and in compliance with DALI products from other international incorporation.
- DALI address will be automatically assigned by DALI master, 1 DALI address.
- PWM digital dimming, stand DALI logarithmic dimming curve.
- Connect with external push switch to achieve on/off and dimming function.

## Technical Parameters

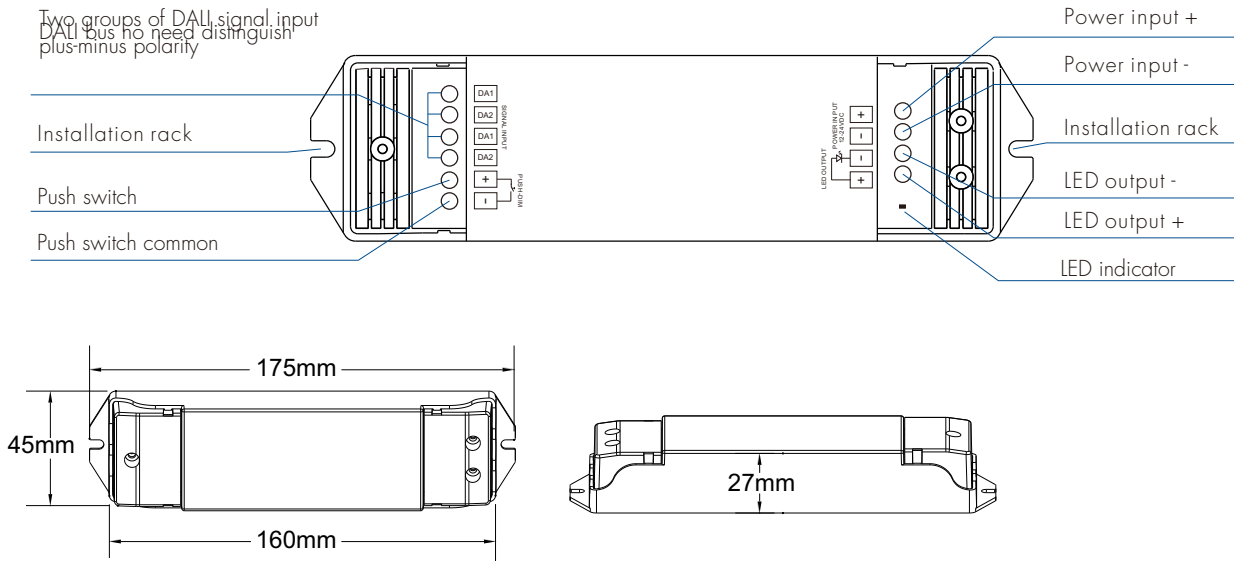
Input and Output	
Input voltage	12-24VDC
Input current	10.5A
Output voltage	12-24VDC
Output current	1CH, 10A
Output power	120W/240W (12V/24V)
Output type	Constant voltage

Warranty and Protection	
Warranty	5 years
Protection	Reverse Polarity

Dimming data	
Input signal	DALI + Push Dim
Dimming range	0 - 100%
Dimming curve	Logarithmic
PWM Frequency	500Hz

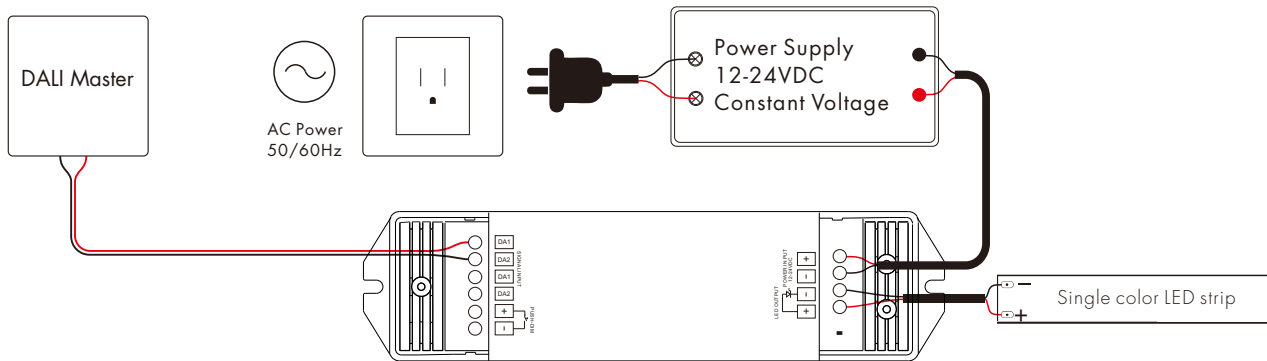
Environment	
Operation temperature	Ta: -30°C ~ +55°C
Case temperature (Max.)	Tc: +85°C
IP rating	IP20

## Mechanical Structures and Installations

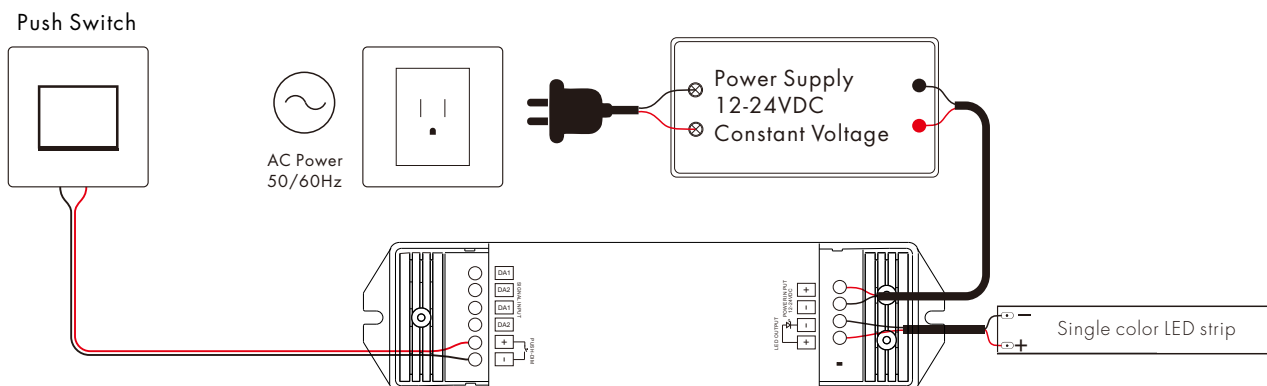


## Wiring Diagram

- DA1 connect with DALI master



- DA1 connect with push switch



## DALI control

- **DALI Address Assigned by DALI Master**

This product is designed with 1 DALI address input and 1 channel output, DALI address is assigned by DALI Master controller automatically, please refer to user manuals of compatible DALI Masters for specific operations.

- **DALI priority**

The DALI master or Push switch can be connected at the same time, which makes the product more user-friendly and more options to fit for some extra-ordinary demands.

If the controller be used with the Push-Dim interface prior to using the DALI interface, the DALI command will make it return DALI control automatically.

## Push Dim Function

The provided Push-Dim interface allows for a simple dimming method using commercially available non-latching (momentary) wall switches.

- **Short press:**

Turn on or off light.

- **Long press (1-6s):**

Press and hold to step-less dimming,

With every other long press, the light level goes to the opposite direction.

- **Dimming memory:**

Light returns to the previous dimming level when switched off and on again, even at power failure.

- **Synchronization:**

If more than one controller are connected to the same push switch, do a long press for more than 10s, then the system is synchronized and all lights in the group dim up to 100%.

This means there is no need for any additional synchrony wire in larger installations.

We recommend the number of controllers connected to a push switch does not exceed 25 pieces,

The maximum length of the wires from push to controller should be no more than 20 meters.

## Safety & Warnings

- DO NOT install with power applied to device.
- DO NOT expose the device to moisture.