

# 4 Channel Constant Voltage DALI LED Dimmer



Model No.: DA4

4 Address/4 Channel/Constant voltage/PMW dimming



CE RoHS

## Features

- 4 channel constant voltage DALI LED Dimmer, 5A per channel.
- 4 DALI address, 4 channel work separately.
- In accordance with DALI standard protocol IEC 62386-102, IEC 62386-207 and in compliance with DALI products from other international incorporation.
- DALI address will be automatically assigned by DALI master.
- PWM digital dimming, standard DALI logarithmic dimming curve.

## Technical Parameters

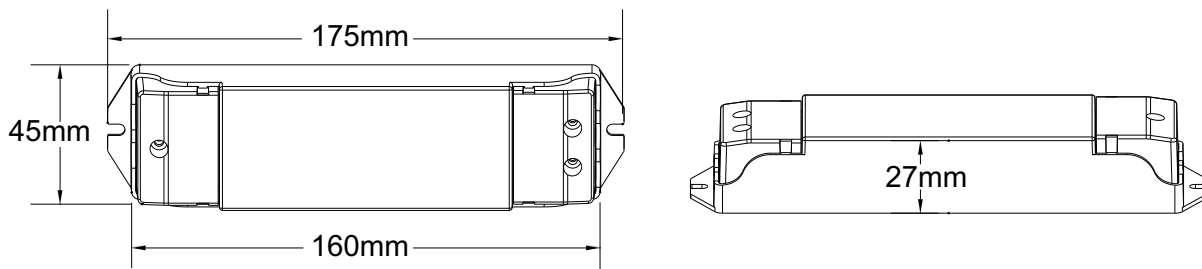
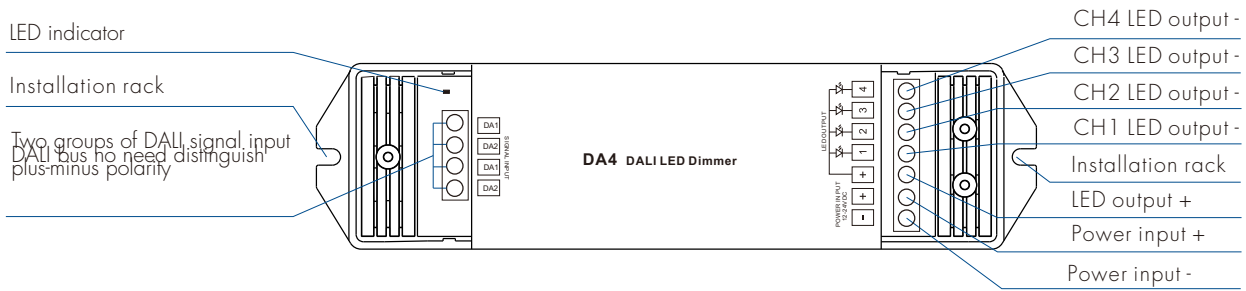
Input and Output	
Input voltage	12-24VDC
Input current	20.5A
Output voltage	12-24VDC
Output current	4CH,5A/CH
Output power	4 x (60-120)W
Output type	Constant voltage

Warranty and Protection	
Warranty	5 years
Protection	Reverse Polarity

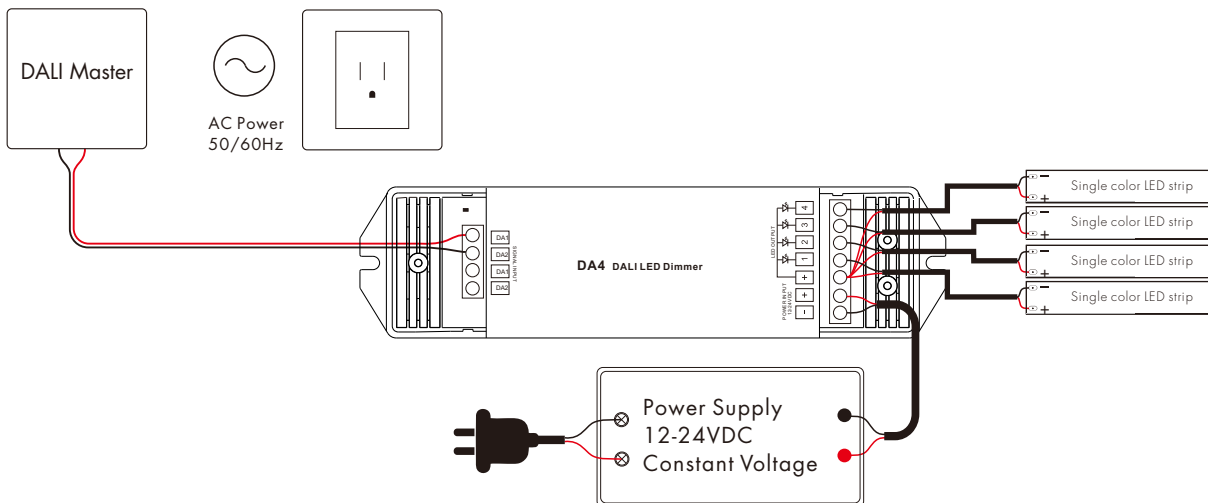
Dimming data	
Input signal	DALI
Dimming range	0-100%
Dimming curve	Logarithmic
PWM Frequency	500Hz

Environment	
Operation temperature	Ta: -30 °C ~ +55 °C
Case temperature (Max.)	Tc: +85 °C
IP rating	IP20

## Mechanical Structures and Installations



## Wiring Diagram



## DALI control

This product is designed with 4 DALI address input and 4 channel output, DALI address is assigned by DALI Master controller automatically, please refer to user manuals of compatible DALI Masters for specific operations.

## Safety & Warnings

- DO NOT install with power applied to device.
- DO NOT expose the device to moisture.