

User Guide

DMX Signal Amplifier

DA is a DMX512 signal amplifier which complies with standard protocol DMX512 (1990). With one DMX signal input and two DMX signal output, It works with DMX decoder series to expand DMX signal based on the actual lighting projects.

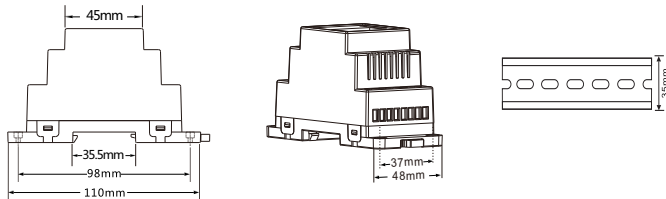
Feature

- One DMX512 signal input, two DMX512 signal output.
- Dedicated to amplify, distribute and insulate the signal that comes from the lighting system equipment when it is connected to the bus of DMX512 (or RS-485).
- Realize extending the signal transmission distance.
- Signals expansion output control, increase DMX (485) signal amplifier to distribute multi-channel control.
- Photo-electricity insulation between input and output terminals, output terminals among channels, so as to avoid the expensive equipment such as light, 485 communications equipment, DMX driver, precise digital lighting controller, being burnt by the possible high voltage which caused from the wrong wire connection and a broken equipment, also can avoid the signal interference between each DMX equipment.

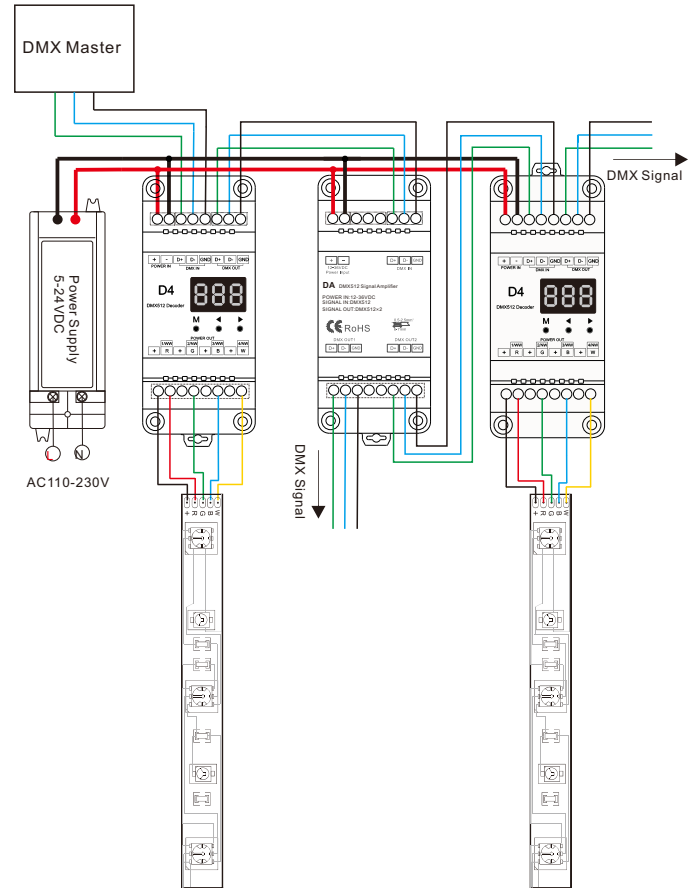
Technical parameter

- Input voltage: 5-24VDC
- Input signal: DMX512
- Output signal: DMX512×2
- Working temperature: -30°C~55°C
- Product size: L115×W48×H67mm
- Net weight: 102g

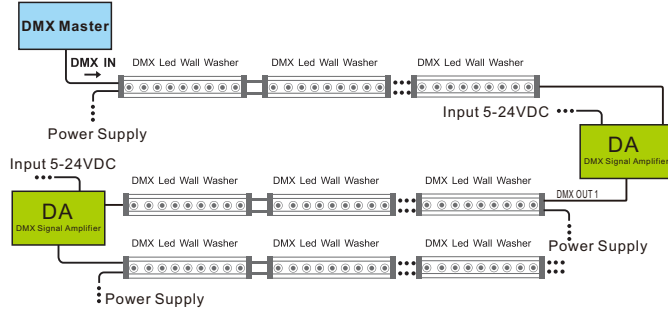
Dimension



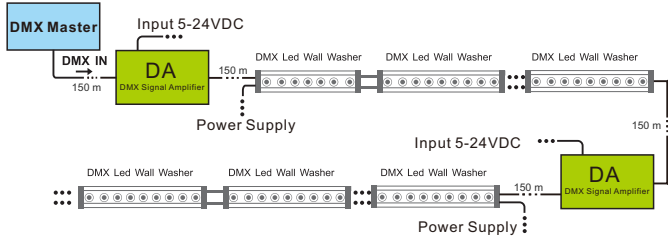
Wiring diagram



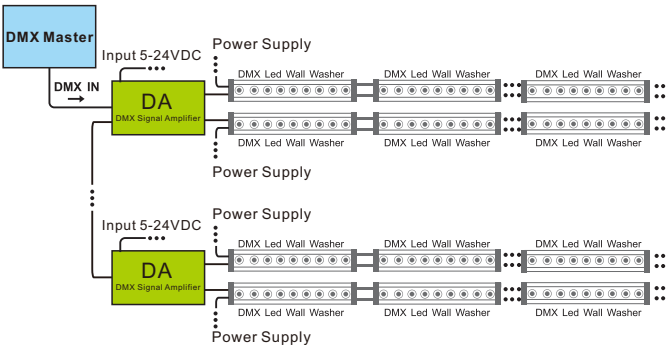
A. The signal of many of DMX LED lights connection:



B. The long distance of DMX signal examples:



C. The distribution of DMX signal example:



Safety information

1. The product shall be installed and serviced by a qualified person.
2. This product is non-waterproof. Please avoid the sun and rain.
3. Good heat dissipation will prolong the working life of the controller, please ensure good ventilation.
4. Please check if the output voltage of any power supplies used comply with the working voltage of the product.
5. If a fault occurs please return the product to your supplier. Do not attempt to fix this product by yourself.

Warranty agreement

1. 5-year warranty
 - The warranty is for free repair or replacement and covers manufacturing faults only.
 - Do not include fees of on site maintenance and consumable parts.
2. Limited Warranty
 - Artificial damage caused by improper use, such as use inappropriate power supply, improper accessories, improper installation, did not follow the instructions, error using or negligence.
 - Any damages caused by force majeure, such as natural disaster, abnormal voltage.
 - The normal use of products caused by aging, wear and tear, but it does not affect the normal use.