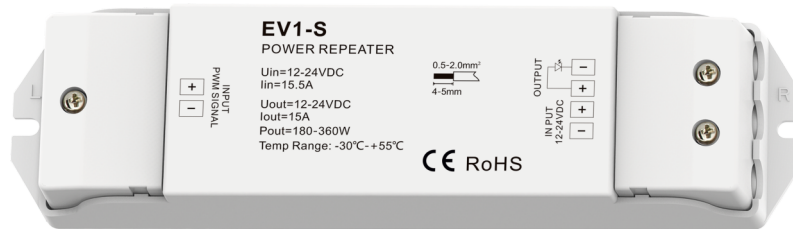


1 Channel Constant Voltage Power Repeater

Model No.: EV1-S

1 Channel/PWM signal input/3KV optoelectronic isolation



CE RoHS  LVD

Features

- 12-24V constant voltage power repeater.
- one channel, 15A.
- To receive PWM signal control.
- Power repeater in series or in parallel to expand output unlimitedly.

Technical Parameters

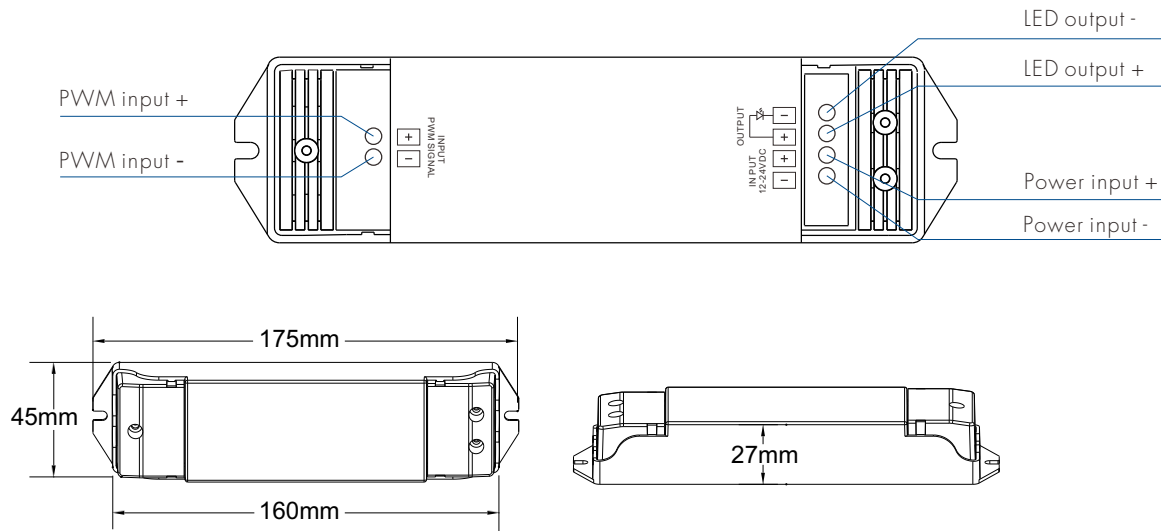
Input and Output	
Input voltage	12-24VDC
Input current	15.5A
Input signal	PWM
Output voltage	12-24VDC
Output current	15A
Output power	180-360W
Output type	Constant voltage

Warranty and Protection	
Warranty	5 years
Protection	Reverse Polarity

Safety and EMC	
EMC standard (EMC)	EN301 489, EN 62479
Safety standard(LVD)	EN60950
Certification	CE, EMC, LVD

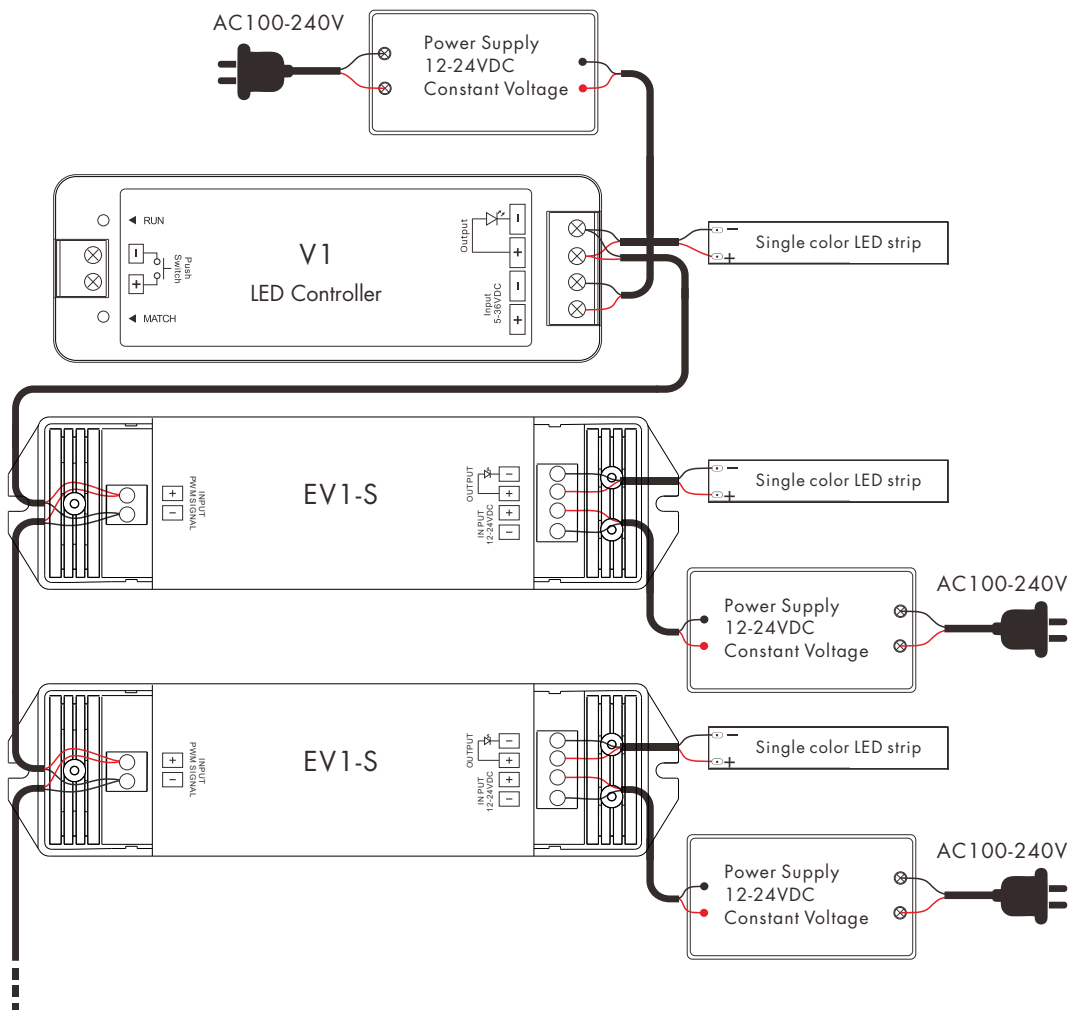
Environment	
Operation temperature	Ta: $-30^{\circ}C \sim +55^{\circ}C$
Case temperature (Max.)	Tc: $+85^{\circ}C$
IP rating	IP20

Mechanical Structures and Installations

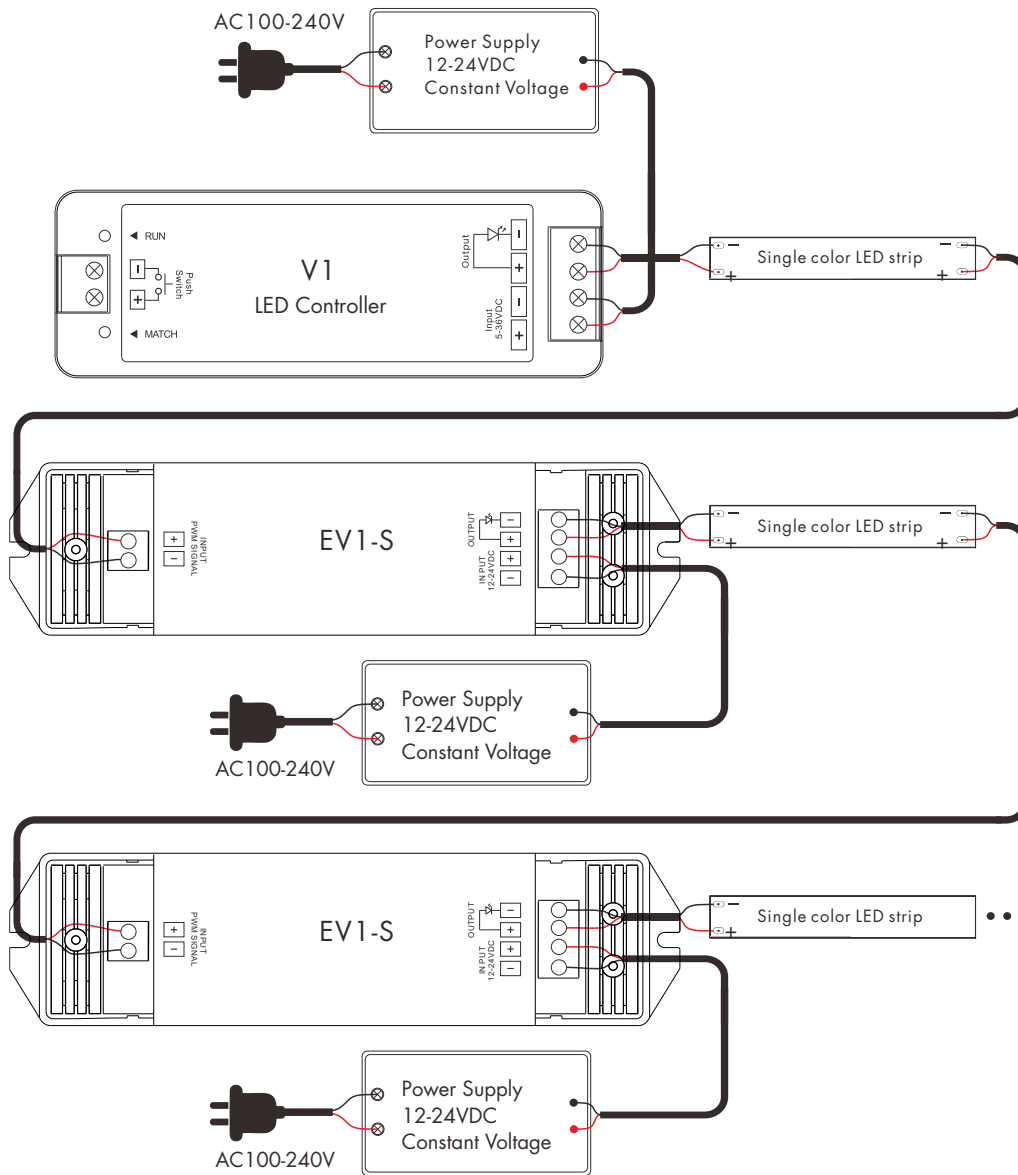


Wiring Diagram

- Parallel connection



● Series connection



Malfunctions analysis & troubleshooting

Malfunctions	Causes	Troubleshooting
No light	<ol style="list-style-type: none"> 1. No power. 2. Wrong connection or insecure. 	<ol style="list-style-type: none"> 1. Check the power. 2. Check the connection.
Uneven intensity between front and rear, with voltage drop	<ol style="list-style-type: none"> 1. Output cable is too long. 2. Wire diameter is too small. 3. Overload beyond power supply capability. 4. Overload beyond controller capability. 	<ol style="list-style-type: none"> 1. Reduce cable or loop supply. 2. Change wider wire. 3. Replace higher power supply. 4. Add power repeater.

Safety & Warnings

1. The product shall be installed and serviced by a qualified person.
2. This product is non-waterproof. Please avoid the sun and rain.
3. Good heat dissipation will prolong the working life of the controller, Please ensure good ventilation.
4. Please check if the output voltage of any power supplies used comply with the working voltage of the product.
5. Ensure all wire connections and polarities are correct and secure before applying power to avoid any damages to the LED lights.
6. If a fault occurs please return the product to your supplier. Do not attempt to fix this product by yourself.