

# 3/4 Channel 12-60V Constant Voltage Power Repeater



Model No.: EV3-H / EV4-H

3 or 4 Channel/12-60V/PWM signal input/Constant voltage output/3KV optoelectronic isolation



EV3-H



EV4-H

CE RoHS LVD

## Features

- 12-60V constant voltage power repeater.
- 3/4 channel, 5A max. per channel.
- To receive PWM signal control.
- Power repeater in series or in parallel to expand output unlimitedly.
- Apply to single color, dual color, RGB or RGBW constant voltage LED strip or module.

## Technical Parameters

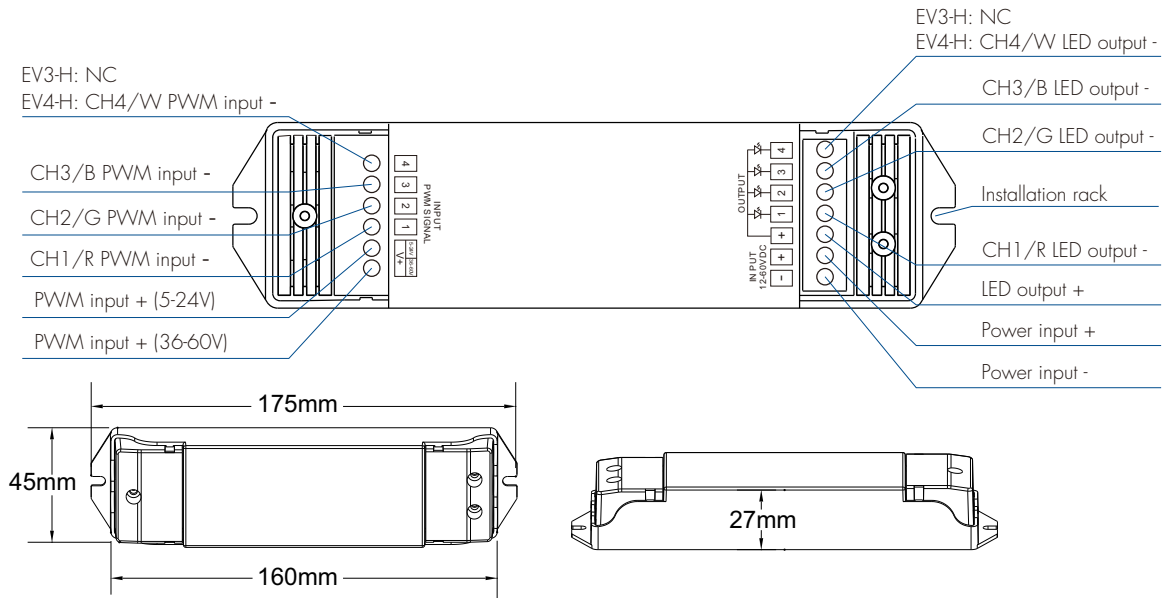
Input and Output	
Input voltage	12-60VDC
Input current	1.5A max. (EV3-H) 20A max. (EV4-H)
Input signal	PWM(3/4CH, 5-24V or 36-60V)
Output voltage	3/4 x (12-60)VDC
Output current	3/4CH, 5A max./CH
Output power	3/4 x (60-300)W max.
Output type	Constant voltage

Warranty and Protection	
Warranty	5 years
Protection	Reverse Polarity

Safety and EMC	
EMC standard (EMC)	EN301 489, EN 62479
Safety standard(LVD)	EN60950
Certification	CE, EMC, LVD

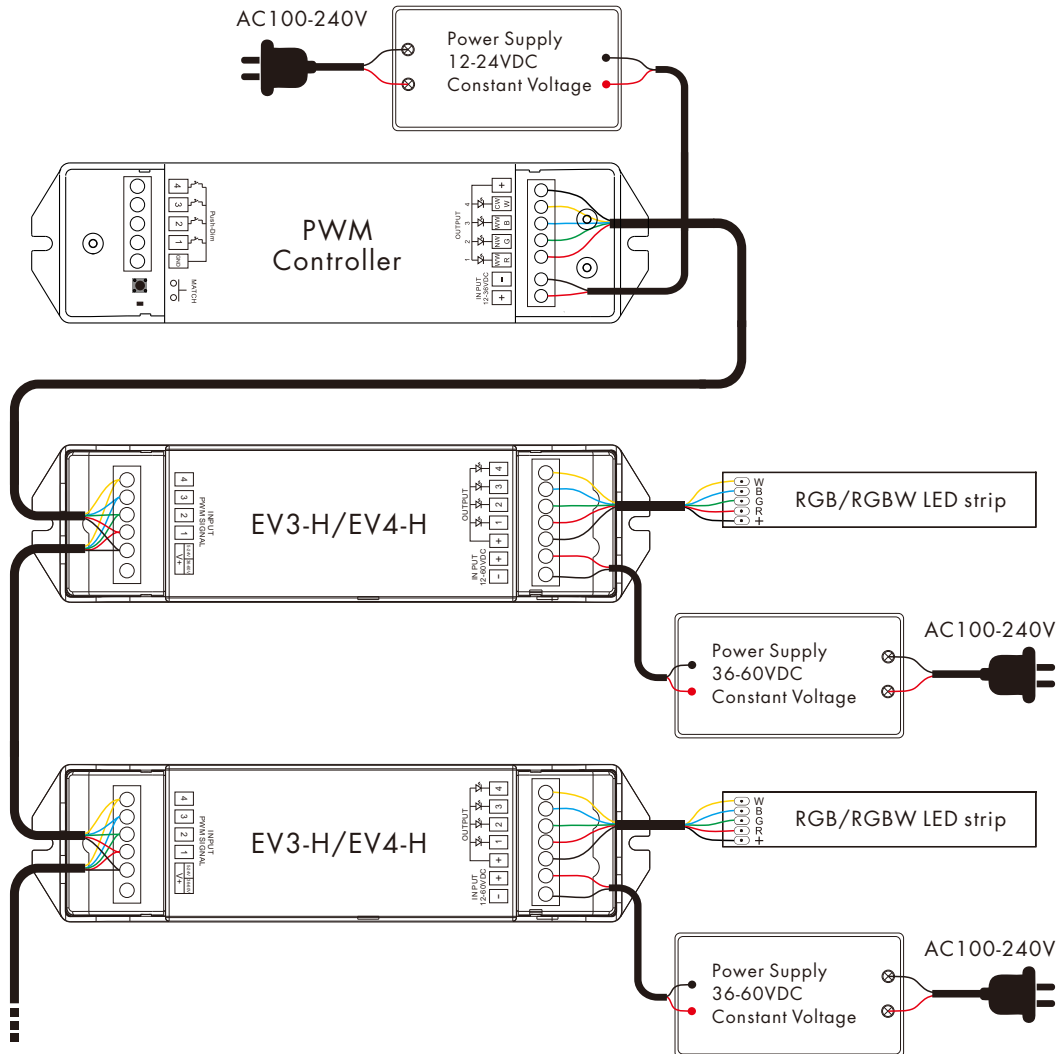
Environment	
Operation temperature	Ta: -30°C ~ +55°C
Case temperature (Max.)	Tc: +85°C
IP rating	IP20

## Mechanical Structures and Installations

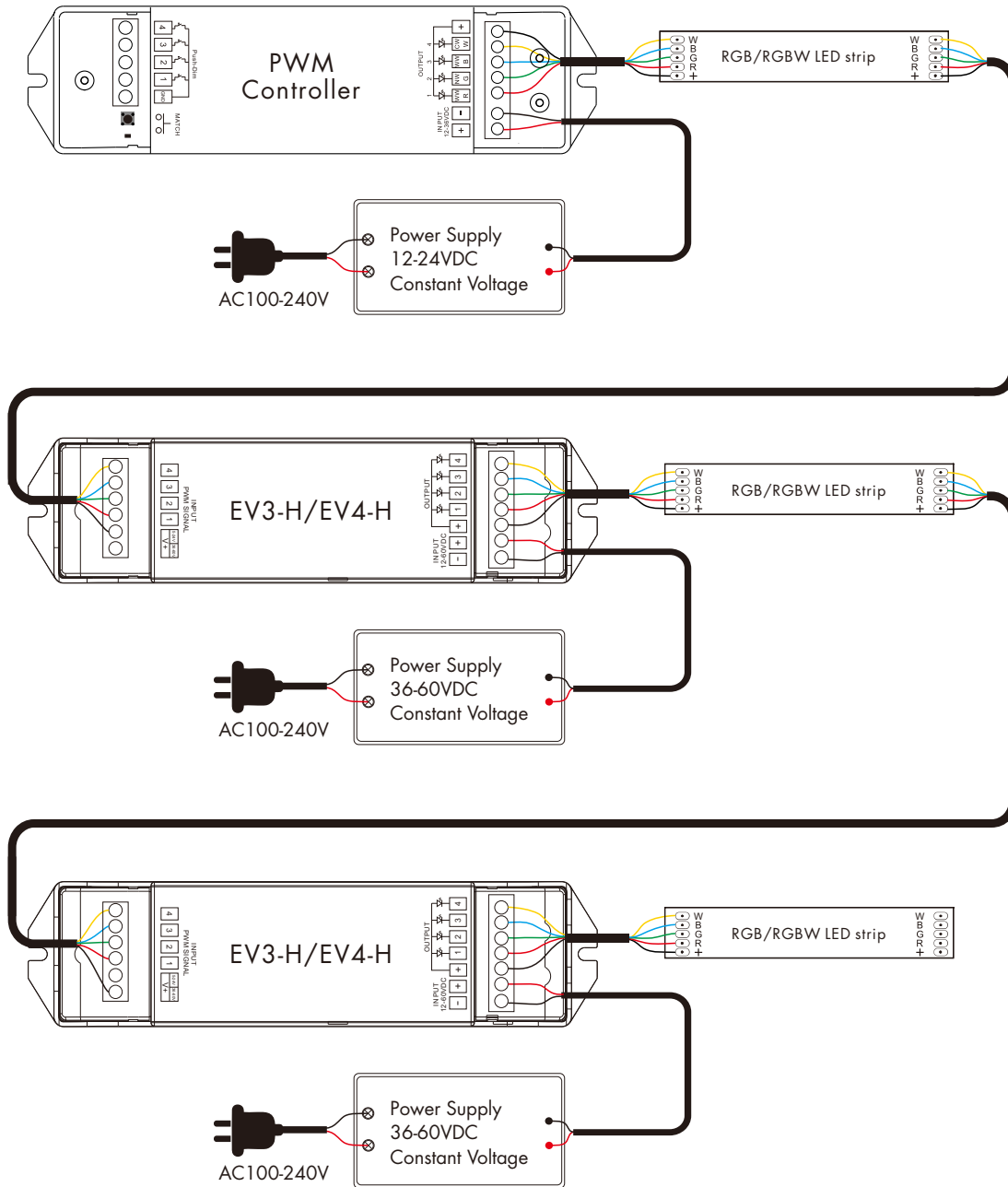


## Wiring Diagram

- Parallel connection



● Series connection



NOTE: The PWM input can be 5-24V or 36-60V, please select correct V+ wire terminal.

## Malfunctions analysis & troubleshooting

Malfunctions	Causes	Troubleshooting
No light	<ol style="list-style-type: none"> <li>1. No power.</li> <li>2. Wrong connection or insecure.</li> </ol>	<ol style="list-style-type: none"> <li>1. Check the power.</li> <li>2. Check the connection.</li> </ol>
Wrong color	<ol style="list-style-type: none"> <li>1. Wrong connection of R/G/B/W wires.</li> </ol>	<ol style="list-style-type: none"> <li>1. Reconnect R/G/B/W wires.</li> </ol>
Uneven intensity between front and rear, with voltage drop	<ol style="list-style-type: none"> <li>1. Output cable is too long.</li> <li>2. Wire diameter is too small.</li> <li>3. Overload beyond power supply capability.</li> <li>4. Overload beyond controller capability.</li> </ol>	<ol style="list-style-type: none"> <li>1. Reduce cable or loop supply.</li> <li>2. Change wider wire.</li> <li>3. Replace higher power supply.</li> <li>4. Add power repeater.</li> </ol>

## Safety & Warnings

1. The product shall be installed and serviced by a qualified person.
2. This product is non-waterproof. Please avoid direct sun, rain and high humid ambient.
3. Good heat dissipation will prolong the working life of the controller, Please ensure good ventilation.
4. Please check if the output voltage of any power supplies used comply with the working voltage of the product.
5. Ensure all wire connections and polarities are correct and secure before applying power to avoid any damages to the LED lights.
6. If a fault occurs please return the product to your supplier. Do not attempt to fix this product by yourself.