

User Guide

0-10V Rotary Panel Dimmer

The rotary dimmer KL is a single color LED controller with 0-10V signal output, which offers both switch and smooth brightness dimming functions by push or rotate the knob. Smooth dimming range from 0.1%-100% without any flickering can be very comfortable for human eyes. The rotary switch is powered directly by 85-265VAC and no extra power supply required. It is easy to install the wall switch into existing standard size wall boxes.

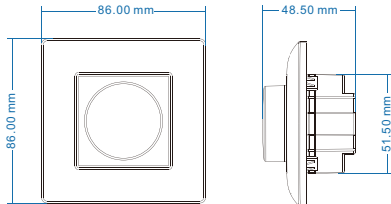
Feature

- Rotary panel 0-10V dimmer.
- Output 1 channel 0-10V signal, connect with 0/1-10V dimmable driver.
- High voltage AC input, High voltage AC relay output.
- Rotate knob to change brightness, support push and long push operation.
- Smooth dimming and switch without any flickering.
- Great compatibility with a variety of dimming RF remote.
- Adopt 2.4GHz wireless technology, remote distance up to 30m.
- Work with WiFi-relay controller after install APP on IOS and Android system.

Technical parameter

- Input voltage: AC85-265V
- Output voltage: AC85-265V
- Output current: Max 1.5A
- Output signal: 0-10V(20mA)
- Static power: <1W
- Remote distance: 30m
- Work temperature: -30°C~55°C
- Product size: L86×W86×H48.5mm

Dimension



Match guide

There are two kinds of method to match the 0-10V rotary panel dimmer with the RF remote.

• Use Knob

1. Match: Turn on light, turn off, immediately push the knob for 5s, within 5s, press on/off key or zone key of the RF remote.
2. Delete: Turn on light, turn off, immediately push the knob for 10s, delete all matched RF remote.
3. Multiple zone RF remote only use zone key to match each zone receiver.

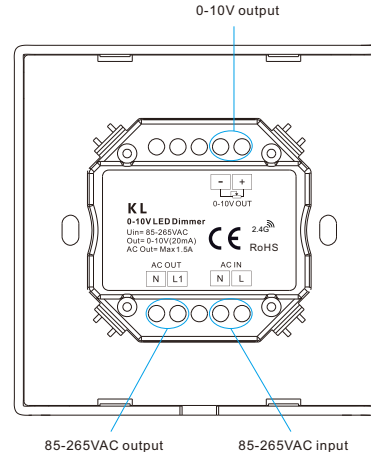
• Use Power-up

1. Match: Switch off the power, then switch on power again, short press on/off key or zone key 3 times on the RF remote quickly within 5s after power on, the link is done once the light blinks 3 times.
2. Delete: Switch off the power, then switch on power again, short press on/off key or zone key 5 times on the RF remote quickly within 5s after power on, the unlink is done once the light blinks 5 times.
3. Multiple zone remote only use zone key to match each zone receiver.

Knob function

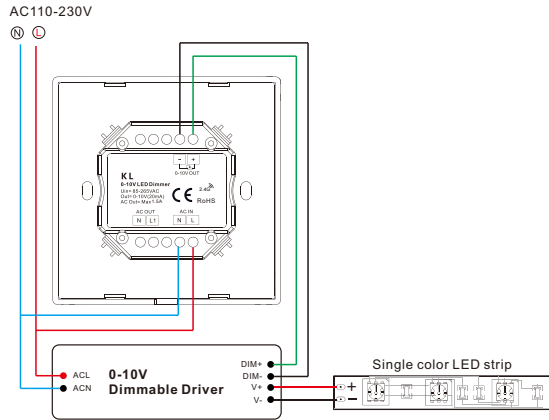
- **Push:** Turn on or off light.
After turn on light:
- **Rotate:** Rotate knob to adjust brightness, 2.5 turns, 50 levels.
- **Long push(1-5s):** Continuous 256 levels brightness adjustment.

Interface specification

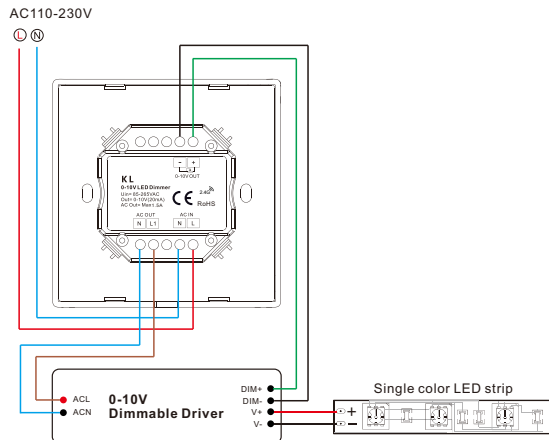


Wiring diagram

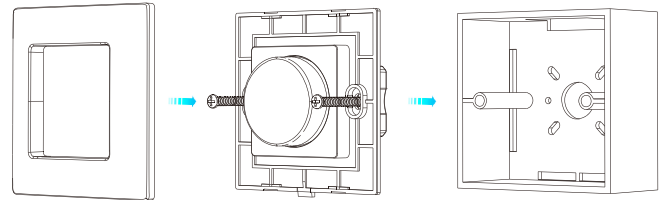
- KL connect with 0/1-10V dimming driver (no use AC OUT)



- KL connect with 0/1-10V dimming driver (use AC OUT)



Installation diagram



Malfunctions analysis & troubleshooting

Malfunctions	Causes	Troubleshooting
No light	<ol style="list-style-type: none"> 1. No power. 2. Wrong connection or insecure. 	<ol style="list-style-type: none"> 1. Check the power. 2. Check the connection.
No response from the remote	<ol style="list-style-type: none"> 1. The battery has no power. 2. Beyond controllable distance. 3. The controller did not match the remote. 	<ol style="list-style-type: none"> 1. Replace battery. 2. Reduce remote distance. 3. Re-match the remote.

Safety information

1. The product shall be installed and serviced by a qualified person.
2. The product is non-waterproof. Please avoid the sun and rain.
3. Good heat dissipation will prolong the working life of the controller, Please ensure good ventilation.
4. Please check if the output voltage of any power supplies used comply with the working voltage of the product.
5. Ensure all wire connections and polarities are correct and secure before applying power to avoid any damages to the LED lights.
6. If a fault occurs please return the product to your supplier. Do not attempt to fix this product by yourself.