

# 4CH RF to 0/1-10V Converter

CE ROHS



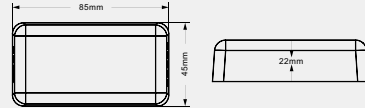
## Summary

- 4CH 0/1-10V dimmer, output connect with 0/1-10V dimmable power supply or other 0/1-10V dimming driver.
- Full compatibility with a variety of single color, dual color or RGB/RGBW remotes.
- Applied to control 0/1-10V series product by remotes.
- Adopt 2.4GHz wireless technology, can accept up to 10 remotes control.
- Can be WiFi controlled by APP installed on IOS or Android mobile devices while working with WiFi-Relay controller.

## Technical Parameters

- Input voltage: 85-265VAC or 12VDC
- Output signal: 0/1-10V x 4CH
- Dimming range: 0-100%
- Remote distance: 30m
- Working temperature: -30°C ~ 55°C
- Product size: L85×W45×H22mm
- Net weight: 53g

## Dimension



## Match with remote controller and wall controller:

### Learning Method:

Switch off the power, then switch on power again, short press on/off or zone key 3 times on the remote quickly within 5s after power on, The link is done once the light blinks 3 times.

### Deleting ID:

Short press on/off or zone key 5 times on the remote quickly within 5s after power on. The unlink is done once the light blinks 5 times. Delete operation will delete all matched remoter, include APP.

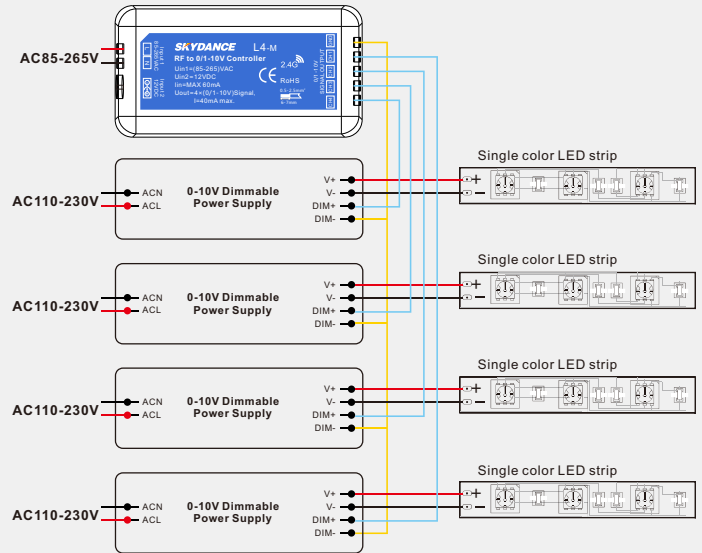
## Match with WiFi-Relay, then can be controlled by smart phone:

### Learning method:

In Device list interface, click + key add new receiver, click enter Match and setting interface, click > key of Type line, select DIM, WW/NW, RGB or RGBW type for different light type, Switch off the power, then switch on again, Click Match key of the APP within 5s, The link is done once the light blinks 3 times. One WiFi-Relay controller can carry up to 16 pcs receivers.

## Wiring diagram

Apply to 4ch synchronous or independent dimming



## Malfunctions analysis & troubleshooting

Malfunctions	Causes	Troubleshooting
No light	1. No power. 2. Wrong connection or insecure.	1. Check the power. 2. Check the connection.
No response from the remoter	1. The battery has no power. 2. Beyond controllable distance. 3. The controller did not match the remoter.	1. Replace battery. 2. Reduce remote distance. 3. Re-match the remoter.

## **Safety & Warnings**

1. The product shall be installed and serviced by a qualified person.
2. This product is non-waterproof. Please avoid the sun and rain.
3. Good heat dissipation will prolong the working life of the controller, please ensure good ventilation.
4. Please check if the output voltage of any power supplies used comply with the working voltage of the product.
5. Ensure all wire connections and polarities are correct and secure before applying power to avoid any damages to the LED lights.
6. If a fault occurs please return the product to your supplier. Do not attempt to fix this product by yourself.

## **Warranty Agreement**

1. 5-year warranty:
  - The warranty is for free repair or replacement and covers manufacturing faults only.
  - Do not include fees of on site maintenance and consumable parts.
2. Limited Warranty
  - Artificial damage caused by improper use, such as use inappropriate power supply, improper accessories, improper installation, did not follow the instructions, error using or negligence.
  - Any damages caused by force majeure, such as natural disaster, abnormal voltage.
  - The normal use of products caused by aging, wear and tear, but it does not affect the normal use.