

User Guide

0/1-10V LED Dimming Driver (Constant Voltage or Constant Current)

The 0/1-10V LED dimming driver is designed with 1 channel 0/1-10V input and 1 channel PWM output. 0%-100% dimming range via logarithmic characteristic can be very comfortable for human eyes. 256 levels of grey scale enable the LED dimmer to adjust brightness softly and smoothly without any flickering. Besides 0/1-10V signal, the dimming driver can be controlled by push switch and potentiometer as well.

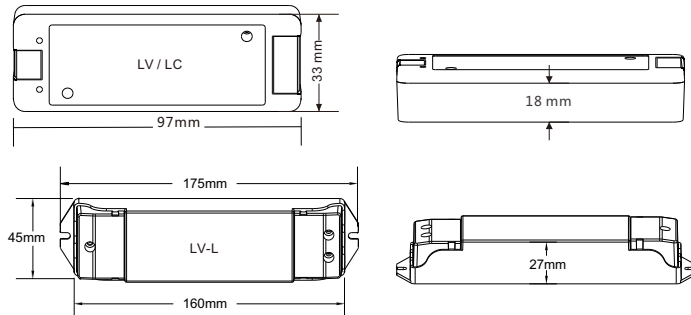
Feature

- 1 channel 0/1-10V input, 1 channel PWM constant voltage or constant current output.
- 0~100% dimming range via logarithmic characteristic can be very comfortable for human eyes.
- Smooth dimming without any flickering.
- Compatible with active or passive 0-10V, 1-10V dimmer, can solve the fluorescent lamp dimming system compatible with LED lighting.
- 0/1-10V CV LED dimming driver can connect unlimited number of CV or CC power repeaters in series or in parallel to expand output power.

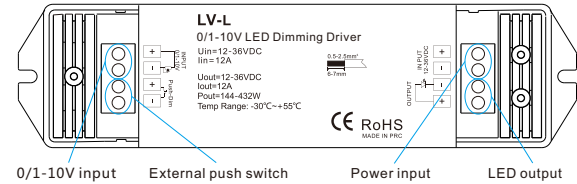
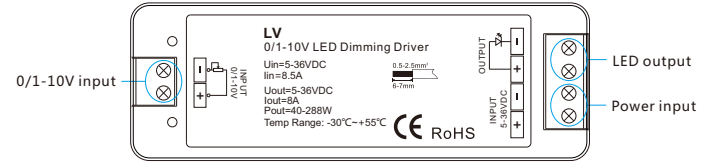
Technical parameter

Model	Name	Input voltage	Output current	Output power	Output type
LV	1CH 0/1-10V CV dimming driver	5-36VDC	1CH, 8A	40-288W	Constant voltage
LV-L	1CH 0/1-10V and Push-dim CV dimming driver	12-36VDC	1CH, 12A	144-432W	Constant voltage
LC	1CH 0/1-10V CC dimming driver	12-48VDC	1CH, 150-1800mA (customized)	1.8-86.4W	Constant current

Dimension

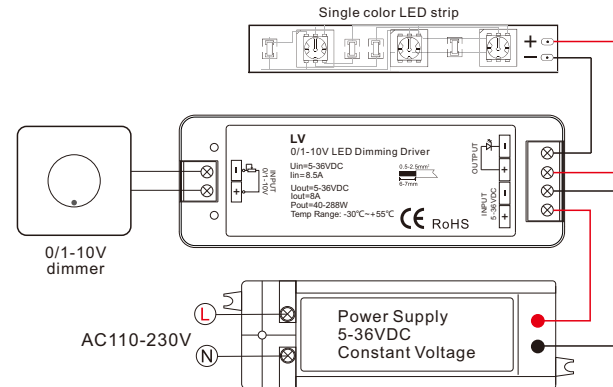


Interface specification

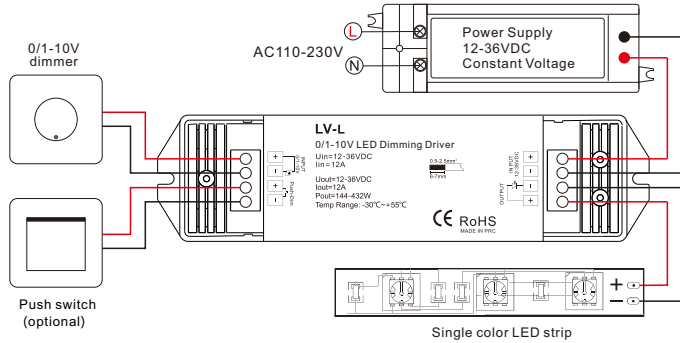


Wiring diagram

- LV



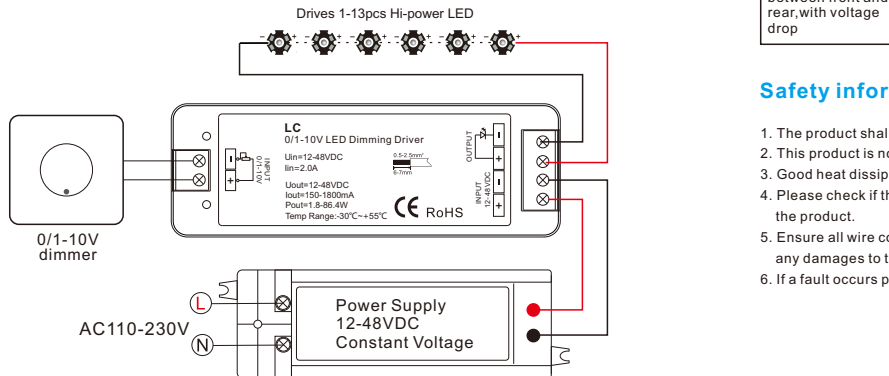
• LV-L



Push switch function

1. Short press: Turn on/off light.
2. Long press (1-5s): When light is on, increase or decrease brightness continuously.
3. Long press (10s): When multiple dimming controller share a push switch, achieve simultaneous adjustment.

• LC



Power supply select guide

For LV, LED power supply voltage and power select :

- 5V lamp, Input 5V power supply, can load 0~40W,
 - 12V lamp, Input 12V power supply, can load 0~96W,
 - 24V lamp, Input 24V power supply, can load 0~192W,
 - 36V lamp, Input 36V power supply, can load 0~288W,
- The power supply power must larger than load power 20%.

For LV-L, LED power supply voltage and power select :

- 12V lamp, Input 12V power supply, can load 0~144W,
 - 24V lamp, Input 24V power supply, can load 0~288W,
 - 36V lamp, Input 36V power supply, can load 0~432W,
- The power supply power must larger than load power 20%.

For LC, LED power supply voltage select:

- Input 48V power supply, can series connect 1~13pcs LED,
- Input 36V power supply, can series connect 1~10pcs LED,
- Input 24V power supply, can series connect 1~6pcs LED,
- Input 12V power supply, can series connect 1~3pcs LED.

Malfunctions analysis & troubleshooting

Malfunctions	Causes	Troubleshooting
No light	1. No power. 2. Wrong connection or insecure.	1. Check the power. 2. Check the connection.
Uneven intensity between front and rear, with voltage drop	1. Output cable is too long. 2. Wire diameter is too small. 3. Overload beyond power supply capability. 4. Overload beyond controller capability.	1. Reduce cable or loop supply. 2. Change wider wire. 3. Replace higher power supply. 4. Add power repeater.

Safety information

1. The product shall be installed and serviced by a qualified person.
2. This product is non-waterproof. Please avoid the sun and rain.
3. Good heat dissipation will prolong the working life of the controller, please ensure good ventilation.
4. Please check if the output voltage of any power supplies used comply with the working voltage of the product.
5. Ensure all wire connections and polarities are correct and secure before applying power to avoid any damages to the LED lights.
6. If a fault occurs please return the product to your supplier. Do not attempt to fix this product by yourself.