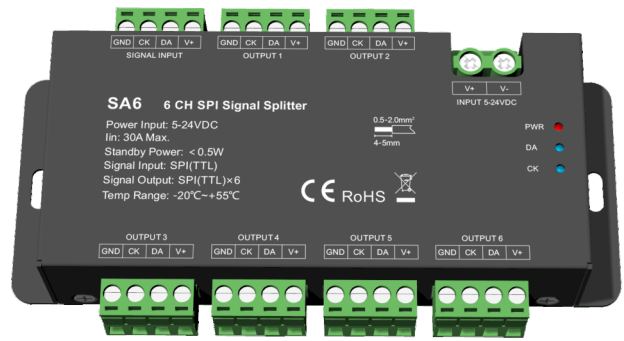


6 Way SPI Signal Splitter

- 1 group SPI signal input, 6 group SPI signal output.
- Amplification and expansion of SPI (TTL) signals.
- Used with SPI controller, applied to synchronous control multiple SPI digital RGB or RGBW LED strips.

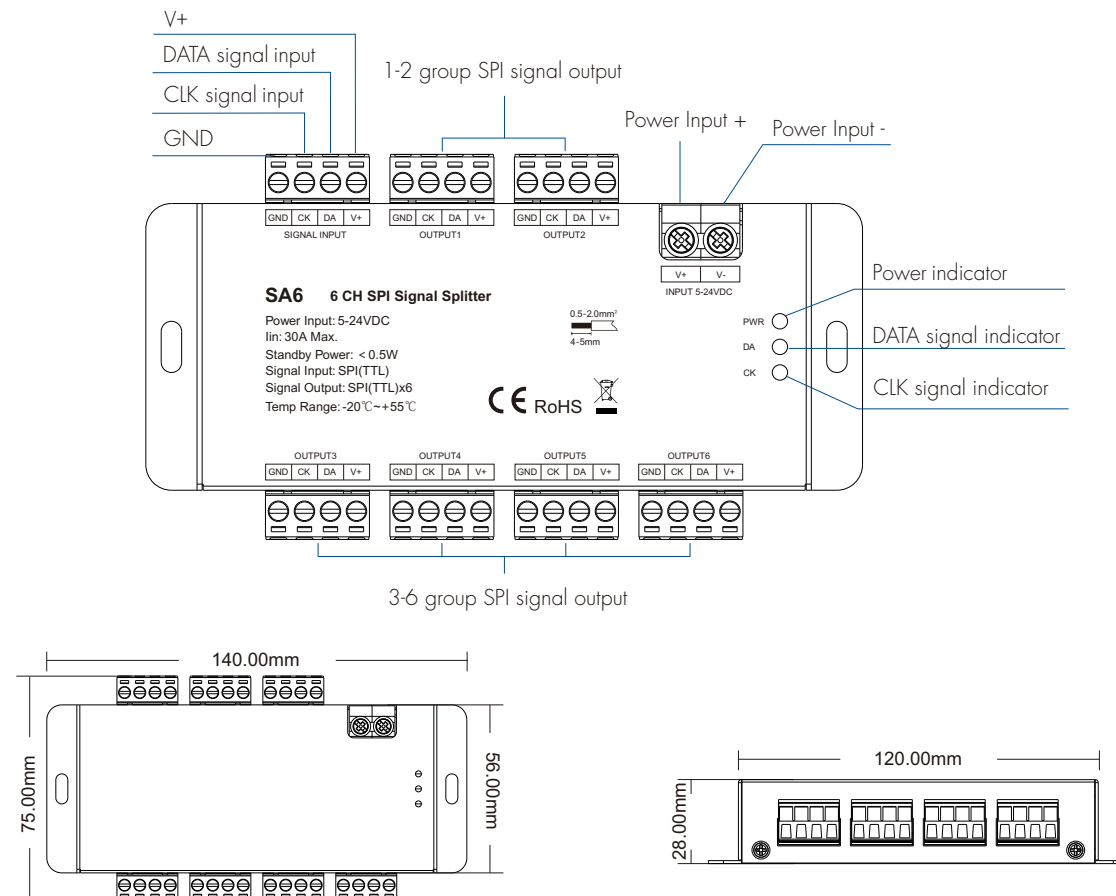


CE RoHS emc LVD

Technical Parameters

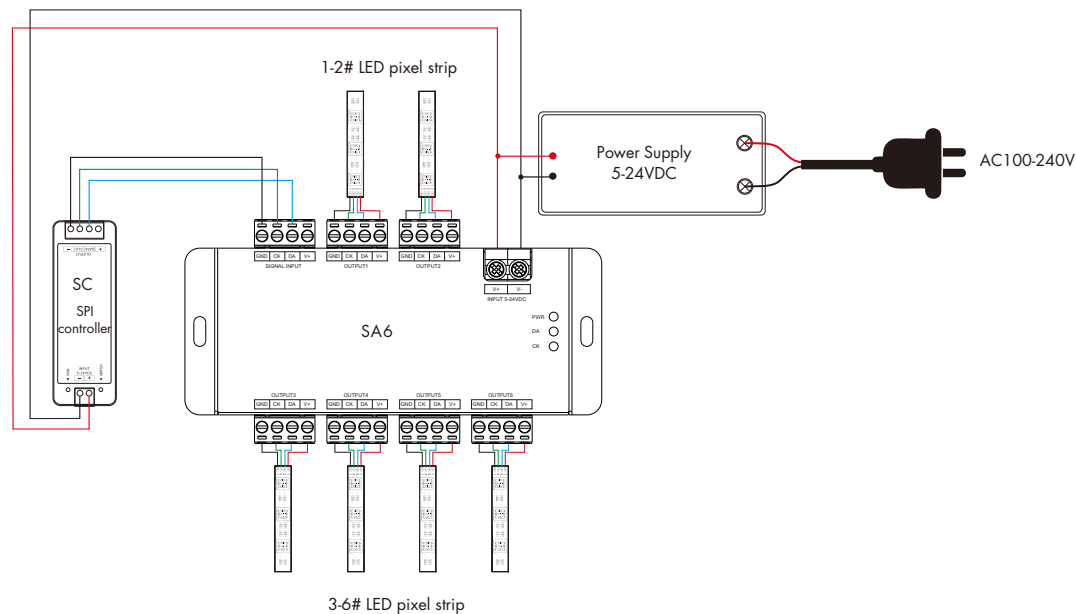
Input and Output		Environment		Safety and EMC	
Input voltage	5-24VDC	Operation temperature	Ta: -20°C ~ +55°C	EMC standard (EMC)	ETSI EN 301 489-1 V2.2.3 ETSI EN 301 489-17 V3.2.4
Input Current	Max. 30A	Case temperature(Max.)	Tc: +65°C	Safety standard	EN 62368-1:2020+A11:2020
Standby power	<0.5W	IP rating	IP20	Certification	CE,EMC,LVD
Input signal	1 group SPI (TTL) signal	Package		Warranty and Protection	
Output signal	6 group SPI (TTL) signals	Size	L145 x W75 x H35mm	Warranty	5 years
		Gross weight	0.26kg	Protection	Reverse Polarity

Mechanical Structures and Installations

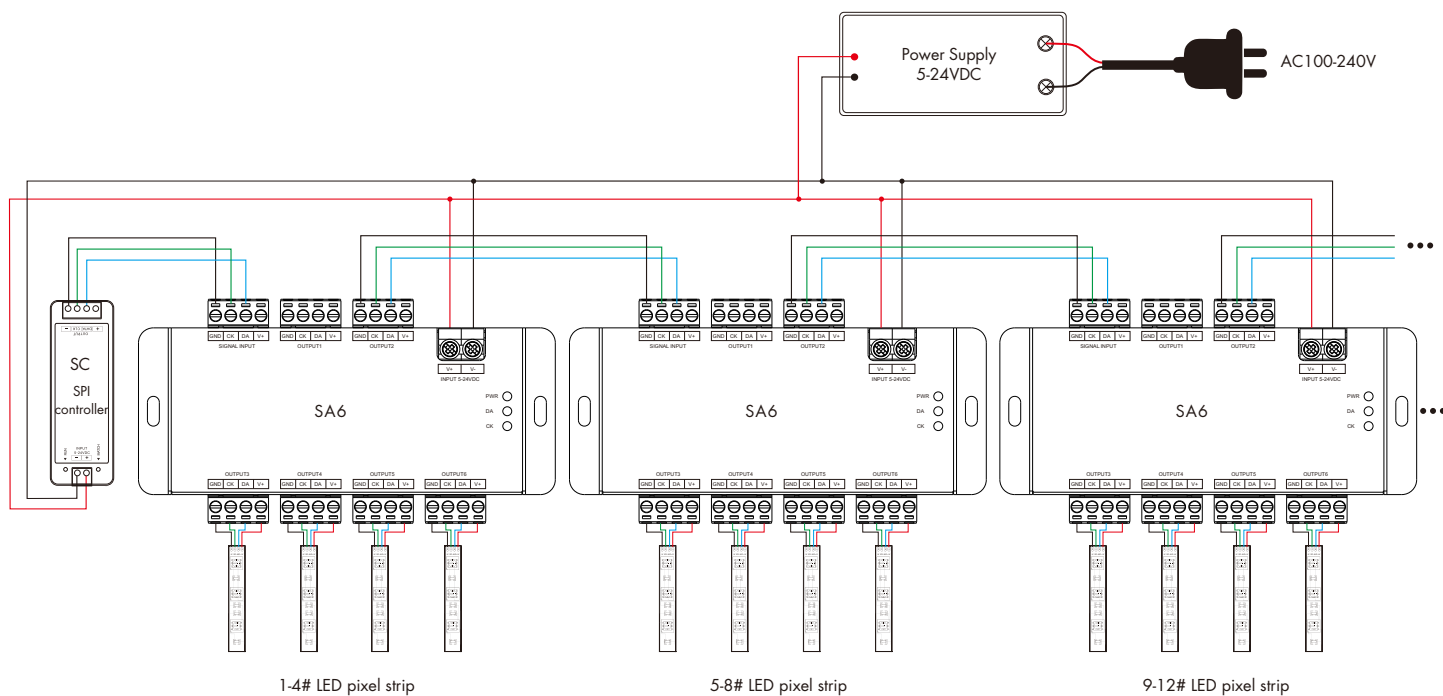


Wiring Diagram

- Connect with one SA6



- Connect with more than one SA6



Note:

1. The SA6 signal splitter is powered up, the power indicator (PWR) is always light up red.
2. When the DATA signal is received, DATA signal indicator (DA) blinks blue continuously. When the signal is disconnected, the indicator does not light up.
3. When the CLK signal is received, CLK signal indicator (CK) blinks blue continuously. When the signal is disconnected, the indicator does not light up.
4. If the SPI LED pixel strip is single-wire control, the DATA and CLK output is same, one SPI output port can connect 2 LED strips, each SA6 can connect up to 12 LED strips.
5. If the SPI LED pixel strip is two-wire control, one SPI output port connect 1 LED strips, each SA6 connect up to 6 LED strips.
6. When the SPI LED pixel strip is overpowered, the LED pixel strip needs to be powered by other power supplies.
Only DATA/CLK and GND cables are connected between the signal splitter and the LED pixel strip.