

# Wall Mounted Touch Panel Single Color LED Constant Voltage Controller & RF 2.4G Remote



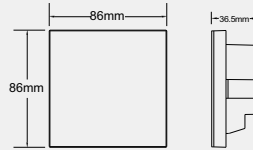
## Summary

- Touch panel DIM PWM constant voltage controller, can also used as DIM remoter.
- Select 4 Zone or 4 Scene, whether as a remoter through 2bit DIP switch.
- Ultra sensitive high strength glass touch panel with touch color wheel in the middle and backlighting.
- 256 level dimming, smooth dimming without any flicking.
- Adopt 2.4GHz wireless technology, when used as controller, can accept up to 10 remoter control. when used as remoter, can remote control multiple dimming controller.
- Can work with WiFi-relay controller after install APP on IOS and Android system.
- Work with power repeater to expand output unlimitedly.

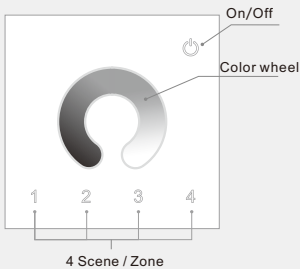
## Technical Parameters

- Input voltage: 5-24VDC
- Output type: PWM constant voltage+RF(2.4G)
- Output current: 4CH,3A/CH
- Output power: 60-288W
- Grey levels: 4096/CH
- Dimming range: 0-100%
- Remote distance: 30m
- Working temperature: -30°C~55°C
- Product size: L86×W86×H36.5mm
- Net weight: 152g

## Dimension



## Key function



### On/Off:

- Single zone : Turn on/off light.
- 4 Zone : Short press turn on/off current zone light, long press 2s turn off all zone light.

### Brightness wheel :

#### 1, 2, 3, 4 Scene / Zone:

- Used as a 4 scene : Short press run the scene, long press 2s save.
- Used as a 4 Zone : Short press select and turn on zone light, long press 2s turn off zone light.
- Continuous short press multiple zone key, can synchronous select multiple zones.

## Dip switch setting



- Dip switch 1st bit: set downside is 4 scene, set upside("ON") is 4 zone.
- Dip switch 2nd bit: set downside disable remoter, set upside("ON") enable remoter.

**Caution: before power on, you must confirm the selection of dip switch.**

## Panel controller match remoter method

- Match: Turn on light, turn off, immediately press on/off key for 5s, within 5s, press any key of the remoter.
- Delete: Turn on light, turn off, immediately press on/off key for 10s, delete all matched remoters.

## Panel remoter match receiver method

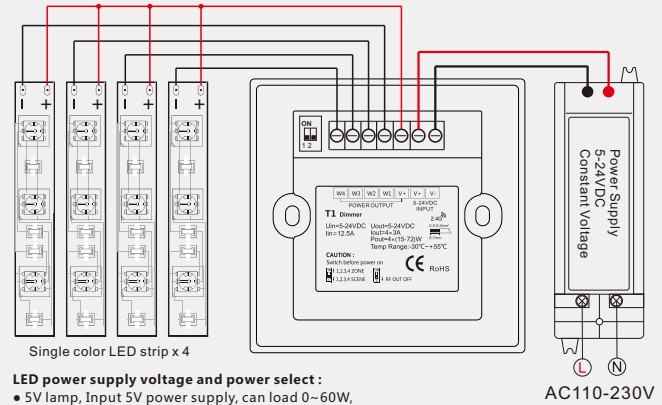
### For controller with match key

- Match: Short press match key, within 5s, press on/off or zone key of the panel.
- Delete: Long press match key for 5s, delete all matched remoters.

### For smart lamp

- Match: Switch off the power, then switch on power again, short press on/off or zone key 3 times of the panel within 5s after power on, the link is done once the light blinks 3 times.
- Delete: Switch off the power, then switch on power again, short press on/off or zone key 5 times of the panel within 5s after power on, the unlink is done once the light blinks 5 times.

## Wiring diagram

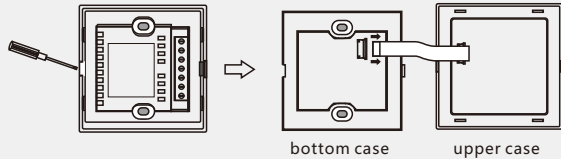


### LED power supply voltage and power select :

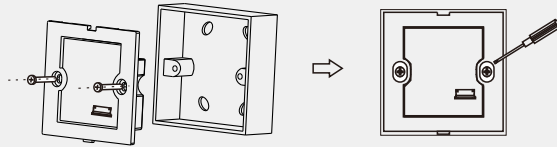
- 5V lamp, Input 5V power supply, can load 0~60W,
  - 12V lamp, Input 12V power supply, can load 0~144W,
  - 24V lamp, Input 24V power supply, can load 0~288W,
- The power supply power must larger than load power 20%.

## Installation diagram

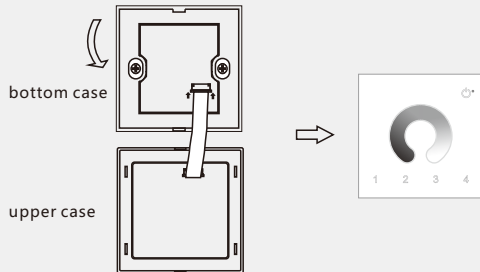
1. Flip panel, inserted into the card edge aperture with a small screwdriver, gently pry and open the panel. pull out FPC lock catch, then remove FPC line.



2. After connect wires, put bottom case into 86 bottom box, put in the screw and tighten.



3. Connect FPC line. then from top to bottom, moderately cover upper case, complete installation.



### NOTES:

- In order to ensure safety, turn off the power first before wiring, ensure correct wiring to avoid short circuit.
- In the process of installation, do not damage or twist FPC line, in order to avoid damage.

## Malfunctions analysis & troubleshooting

Malfunctions	Causes	Troubleshooting
No light	1. No power. 2. Wrong connection or insecure.	1. Check the power. 2. Check the connection.
Uneven intensity between front and rear, with voltage drop	1. Output cable is too long. 2. Wire diameter is too small. 3. Overload beyond power supply capability. 4. Overload beyond controller capability.	1. Reduce cable or loop supply. 2. Change wider wire. 3. Replace higher power supply. 4. Add power repeater.
No response from the remoter	1. The battery has no power. 2. Beyond controllable distance. 3. The controller did not match the remoter.	1. Replace battery. 2. Reduce remote distance. 3. Re-match the remoter.

## Safety & Warnings

1. The product shall be installed and serviced by a qualified person.
2. This product is non-waterproof. Please avoid the sun and rain.
3. Good heat dissipation will prolong the working life of the controller, please ensure good ventilation.
4. Please check if the output voltage of any power supplies used comply with the working voltage of the product.
5. Ensure all wire connections and polarities are correct and secure before applying power to avoid any damages to the LED lights.
6. If a fault occurs please return the product to your supplier. Do not attempt to fix this product by yourself.

## Warranty Agreement

### 1.3-year warranty:

- The warranty is for free repair or replacement and covers manufacturing faults only.
- Do not include fees of on site maintenance and consumable parts.

### 2. Limited Warranty

- Artificial damage caused by improper use, such as use inappropriate power supply, improper accessories, improper installation, did not follow the instructions, error using or negligence.
- Any damages caused by force majeure, such as natural disaster, abnormal voltage.
- The normal use of products caused by aging, wear and tear, but it does not affect the normal use.