

User Guide

Wall Mounted Touch Panel Single Color / Dual Color / RGB / RGBW LED 4 Zone DMX512 Master & RF 2.4G Remote

4 zone wall mounted single color/dual color/RGB/RGBW DMX512 master T11-1/T12-1/T13-1/T14-1 is a full touch controller designed in accordance with standard protocol DMX512(1990) and offers fast and accurate color adjustment with unique design touch color slide. The DMX512 master can control 4 zones with endless decoders in each zone.

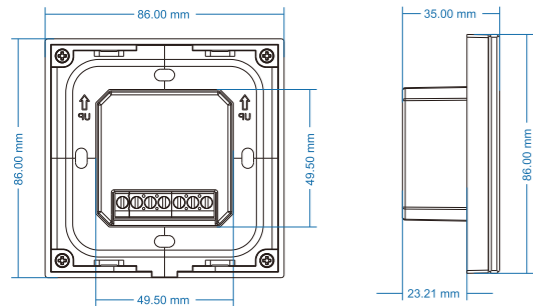
Feature

- Touch panel 4 zone DMX512 master, can also be used as 4 zone RF remote.
- DMX signal output, comply to standard DMX512 protocol, compatible with DMX decoder from any supplier.
- Ultra sensitive high strength glass touch panel with touch color slide in the middle and backlighting.
- Smooth dimming and switch without any flickering.
- Smooth and accurate color adjustment by touching the color slide.
- When used as RF remote, can remote control multiple receiver.
- Adopt 2.4GHz wireless technology, remote distance up to 30m.
- Touch keys with chord tones and LED indicator.

Technical parameter

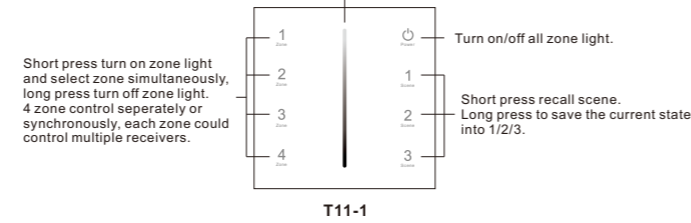
Model	Input voltage	Output signal	Light type	Size(mm)
T11-1	85-265VAC	DMX512 + RF2.4G	Single color	86x86x35
T12-1	85-265VAC	DMX512 + RF2.4G	Dual color	86x86x35
T13-1	85-265VAC	DMX512 + RF2.4G	RGB	86x86x35
T14-1	85-265VAC	DMX512 + RF2.4G	RGBW	86x86x35

Dimension

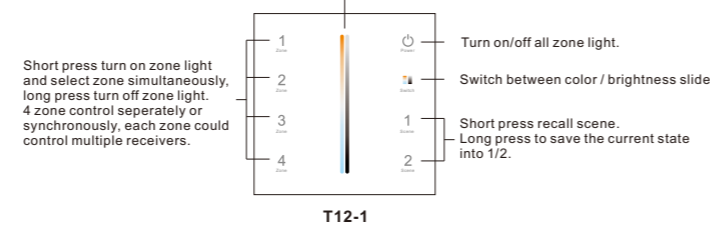


Key function

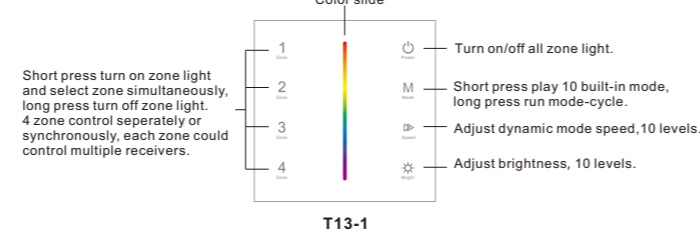
• Single color panel



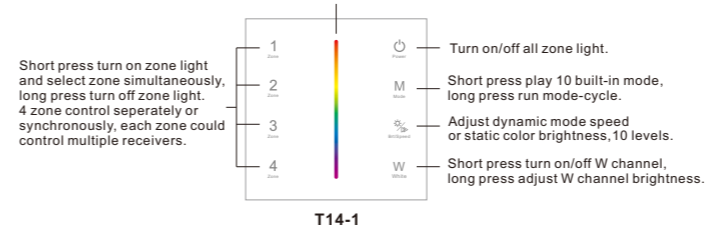
• Dual color panel



• RGB panel



• RGBW panel



Note: After touch power key to turn off light, long press power key for 5 seconds will turn on or turn off tone.

Match guide

Panel controller work as RF remote, there are two kinds of method to match receivers.

• Use Match key

Match with controller(with match key)

1. Match:
Short press match key, then press zone key of the panel remote within 5s.
2. Delete:
Long press match key for 5s, delete all matched remote.

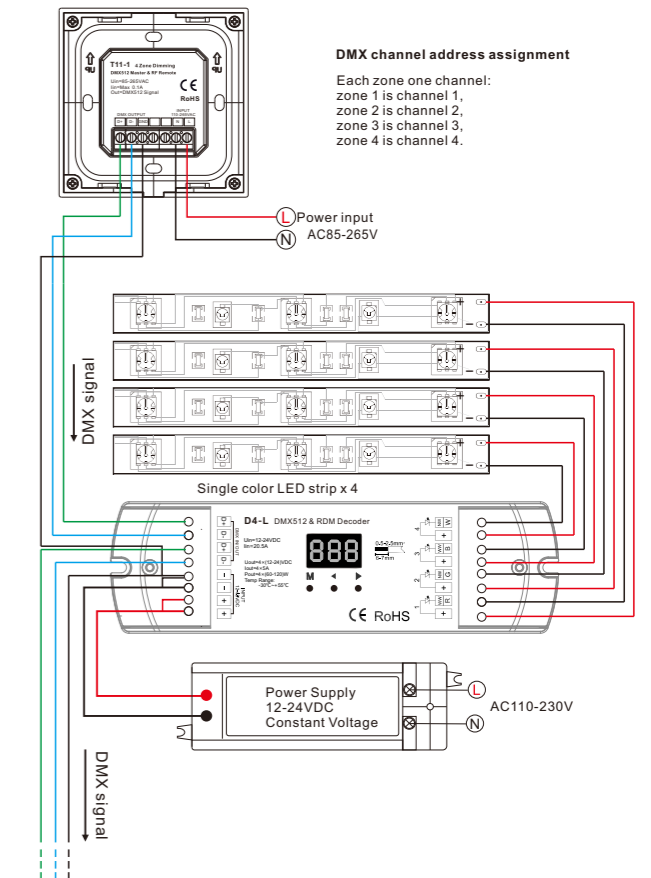
• Use Power-up

Match with controller(without match key), dimming driver or smart lamp

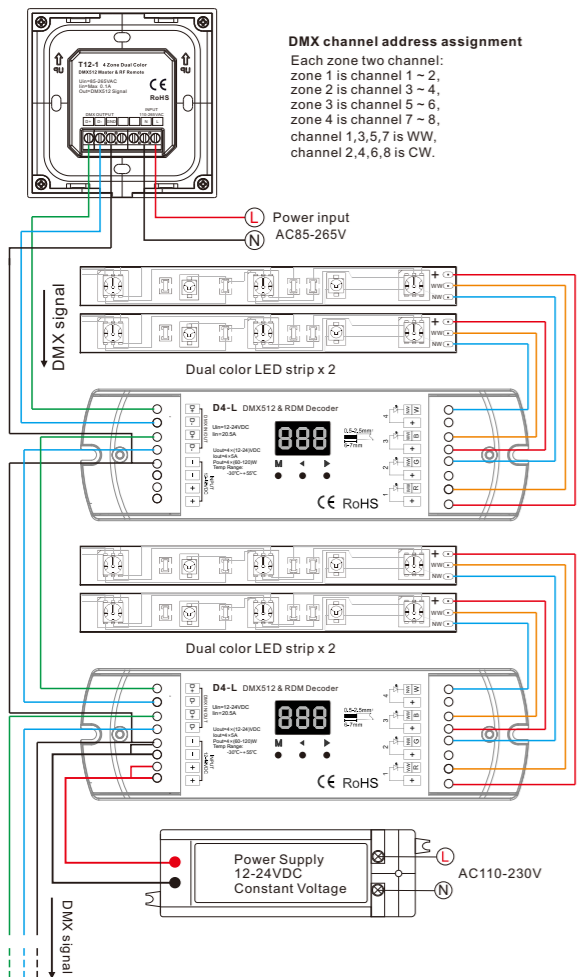
1. Match:
Switch off the power, then switch on power again, short press zone key 3 times on the panel remote quickly within 5s after power on, the link is done once the light blinks 3 times.
2. Delete:
Switch off the power, then switch on power again, short press zone key 5 times on the panel remote quickly within 5s after power on, the unlink is done once the light blinks 5 times.

Wiring diagram for DMX512 output

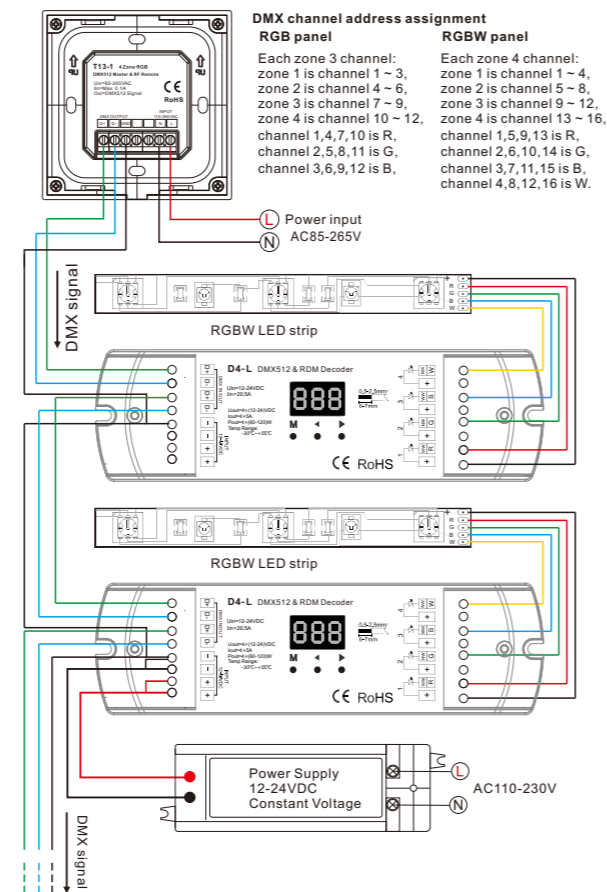
• T11-1 Single color panel



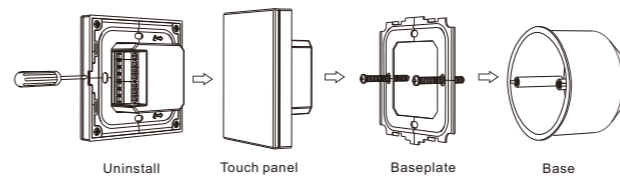
• T12-1 Dual color panel



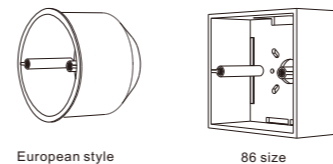
• T13 / T14 RGB/RGBW panel



Installation diagram



Typical base as below:



Malfunctions analysis & troubleshooting

Malfunctions	Causes	Troubleshooting
No light	1. No power. 2. Wrong connection or insecure.	1. Check the power. 2. Check the connection.
Wrong color	1. DMX decoder first address error. 2. Wrong connection of R/G/B/W wires.	1. Check the DMX first address. 2. Reconnect R/G/B/W wires.

Safety information

1. The product shall be installed and serviced by a qualified person.
2. The product is non-waterproof. Please avoid the sun and rain.
3. Good heat dissipation will prolong the working life of the controller, Please ensure good ventilation.
4. Please check if the output voltage of any power supplies used comply with the working voltage of the product.
5. Ensure all wire connections and polarities are correct and secure before applying power to avoid any damages to the LED lights.
6. If a fault occurs please return the product to your supplier. Do not attempt to fix this product by yourself.