

Wall Mounted Touch Panel

Model No.: T16, T16-1, T16-2, T16-3

1-4 Zone dimming switch/AC input/Glass touch panel/DMX 512 and RF 2.4G signal output



T16-1



T16-2



T16-3



T16

CE RoHS  LVD RED

Features

- Touch panel 1/2/3/4 zone dimming DMX512 master, can also be used as 4 zone dimming RF remote.
- DMX signal output, comply to standard DMX512 protocol, compatible with DMX decoder from any supplier.
- When used as RF remote, can remote control multiple receiver.
- Ultra sensitive high strength glass touch panel.
- Touch keys with chord tones and LED indicator.

Technical Parameters

Input and Output	
Input voltage	85-265VAC
Input current	Max 0.1A
Output signal	DMX512, RF 2.4GHz

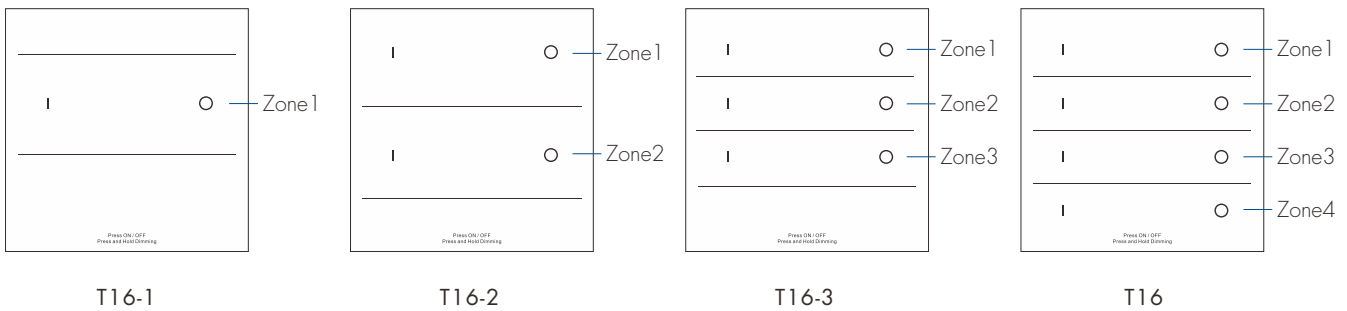
Safety and EMC	
EMC standard (EMC)	EN301 489,EN 62479
Safety standard(LVD)	EN60950
Radio Equipment(RED)	EN300 328
Certification	CE,EMC,LVD,RED

Warranty	
Warranty	5 years

Dimming data	
Input signal	Touch key + RF 2.4GHz
RF Control distance	30m
Dimming level	256 levels
Dimming range	0-100%

Environment	
Operation temperature	Ta: -30°C ~ +55°C
Case temperature (Max.)	Tc: +85°C
IP rating	IP20

Mechanical Structures and Installations



- I — ON key

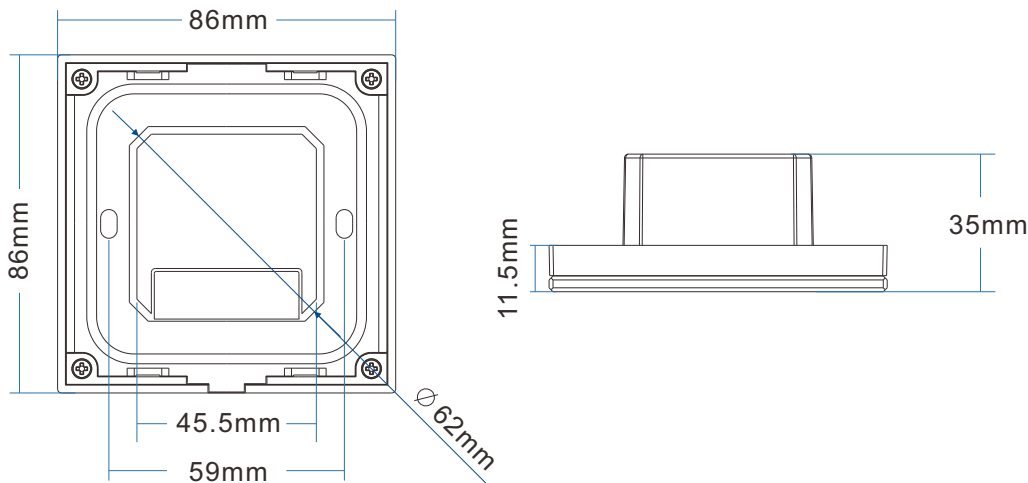
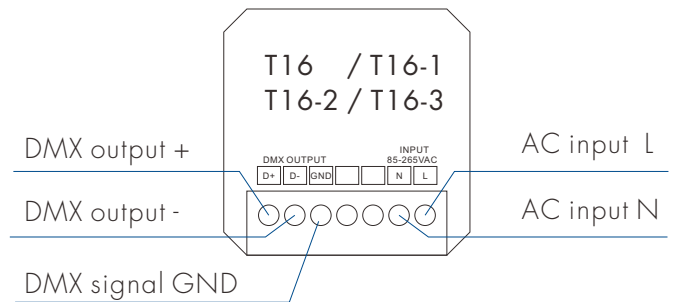
Short press: Turn on the light of each zone.

Long press(1-6s): Dimming up when light is on.
- O — OFF key

Short press: Turn off the light of each zone.

Long press(1-6s): Dimming down when light is on.

Long press(5s) : Turn on or turn off tone when light is off.



Touch Panel work as DMX512 Master

After connect with DMX decoders, please set the DMX decoders address as below:

- DMX decoder's address 001 is controlled by Zone 1,
- DMX decoder's address 002 is controlled by Zone 2,
- DMX decoder's address 003 is controlled by Zone 3,
- DMX decoder's address 004 is controlled by Zone 4.

Touch Panel work as RF remote (two match ways)

End user can choose the suitable match/delete ways. Two options are offered for selection:

Use the controller's Match key

Match:

Short press match key, immediately press ON key of the touch panel.

Delete:

Press and hold match key for 5s to delete all match, The light blinks 5 times means all matched remotes were deleted.

Use Power Restart

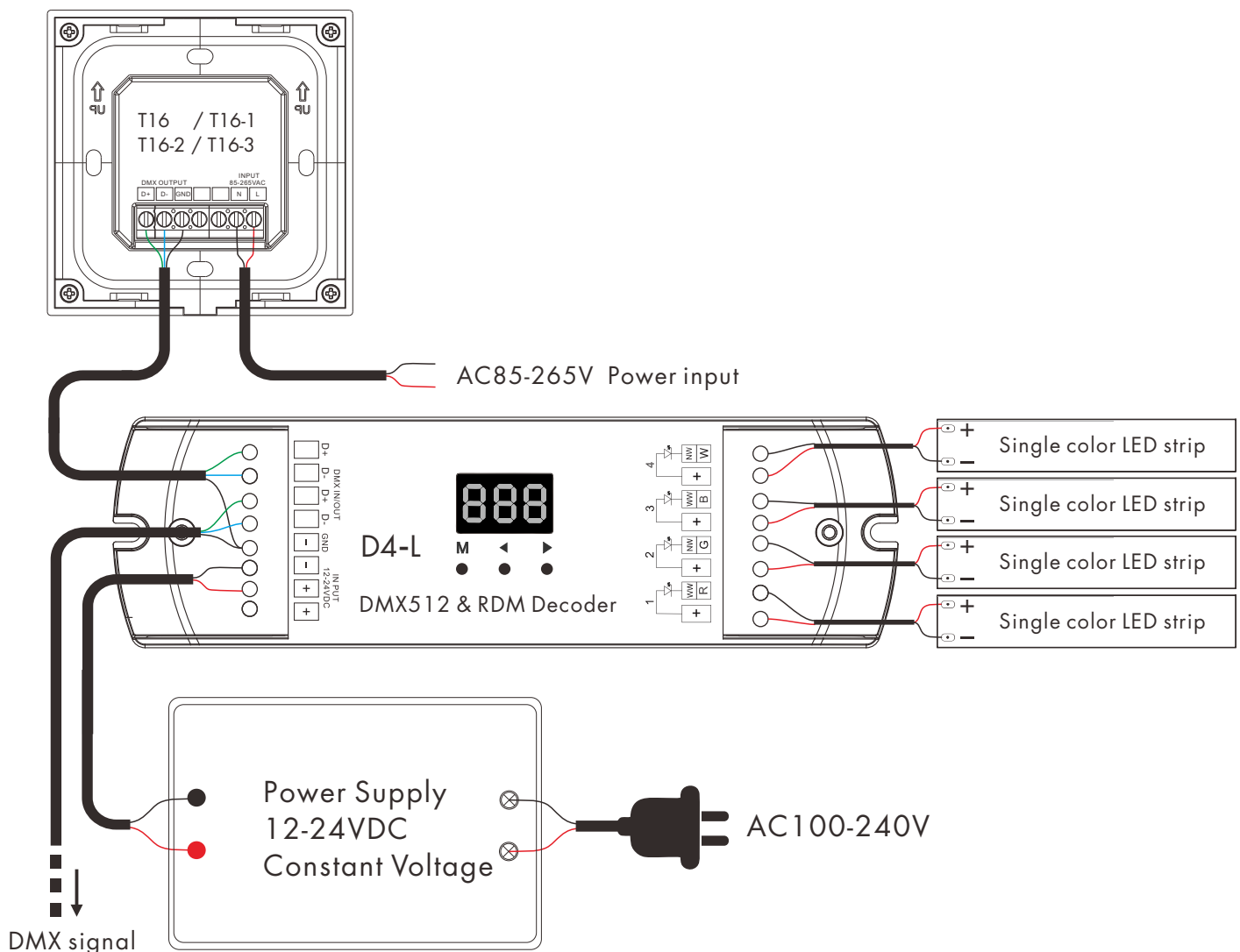
Match:

Switch off the power of the receiver, then switch on power again, immediately short press ON key 3 times on the touch panel. The light blinks 3 times means match is successful.

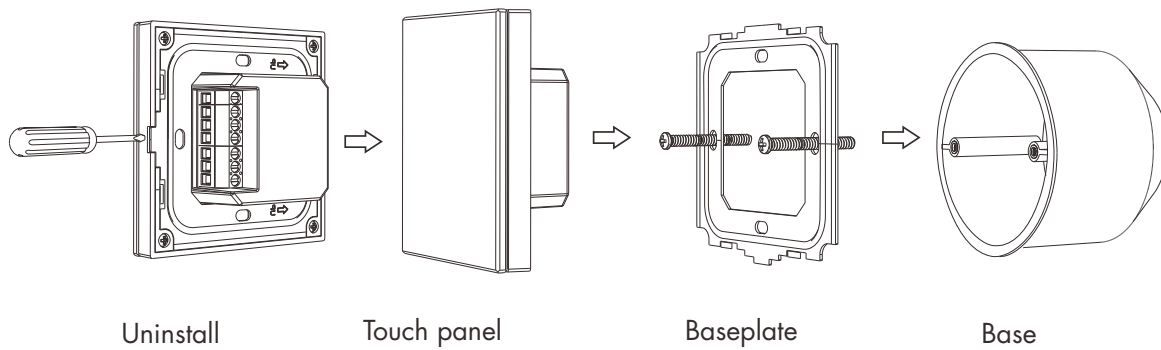
Delete:

Switch off the power of the receiver, then switch on power again, immediately short press ON key 5 times on the touch panel. The light blinks 5 times means all matched remotes were deleted.

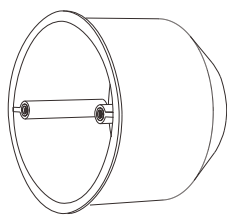
Wiring Diagram



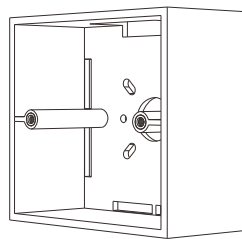
Installation diagram



Typical base as below:



European style



86 size

Safety information

1. The product shall be installed and serviced by a qualified person.
2. The product is non-waterproof. Please avoid the sun and rain.
3. Good heat dissipation will prolong the working life of the controller, Please ensure good ventilation.
4. Please check if the output voltage of any power supplies used comply with the working voltage of the product.
5. Ensure all wire connections and polarities are correct and secure before applying power to avoid any damages to the LED lights.
6. If a fault occurs please return the product to your supplier. Do not attempt to fix this product by yourself.