

1-10V Rotary Glass Panel Dimmer



Model No.: T18-2

Rotary dimming/Glass panel/AC relay output/Wireless remote control



CE RoHS  LVD

Features

- Rotary glass panel 1-10V dimmer, 1 channel output.
- Output 1 channel 1-10V signal, connect with 1-10V dimmable driver.
- High voltage AC input, High voltage AC relay output.
- Rotate knob to change brightness, support push and long push operation.
- Compatibility with Skydance's 2.4G single zone or multiple zone dimming remote control.

Technical Parameters

Input and Output	
Input voltage	AC85-265V
Output voltage	AC85-265V
Output signal	1-10V (20mA)
Output current	Max 1.5A (AC)

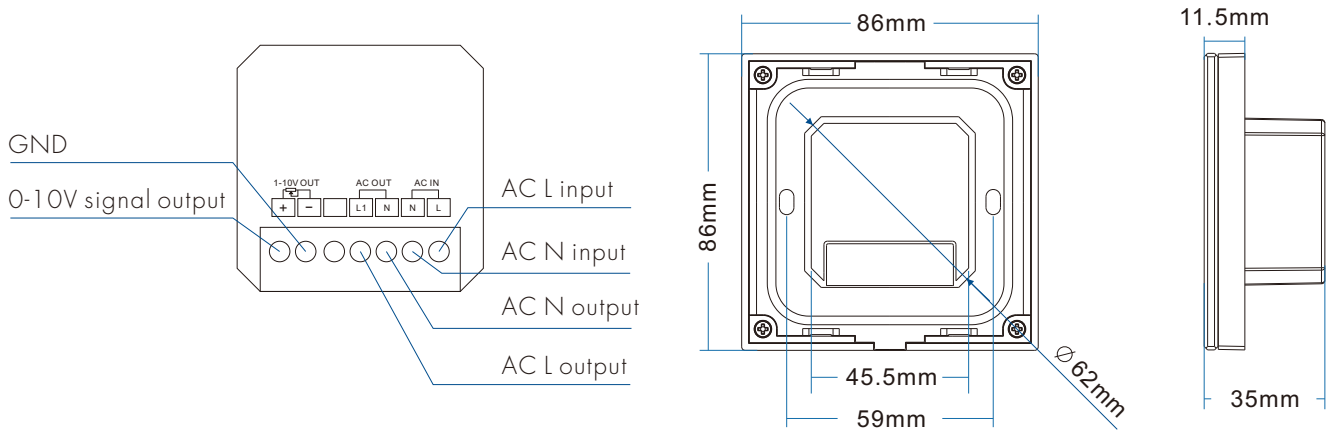
Safety and EMC	
EMC standard (EMC)	EN 55015:2013 EN 61547:2009 EN 61000-3-2:2014 EN 61000-3-3:2013
Safety standard(LVD)	EN 61347-2-11:2002 EN 61347-1:2015 EN 62493:2015
Certification	CE,EMC,LVD

Dimming data	
Input signal	Rotary knob + RF 2.4GHz
RF Control distance	30m
Dimming level	256 levels
Dimming range	0-100%

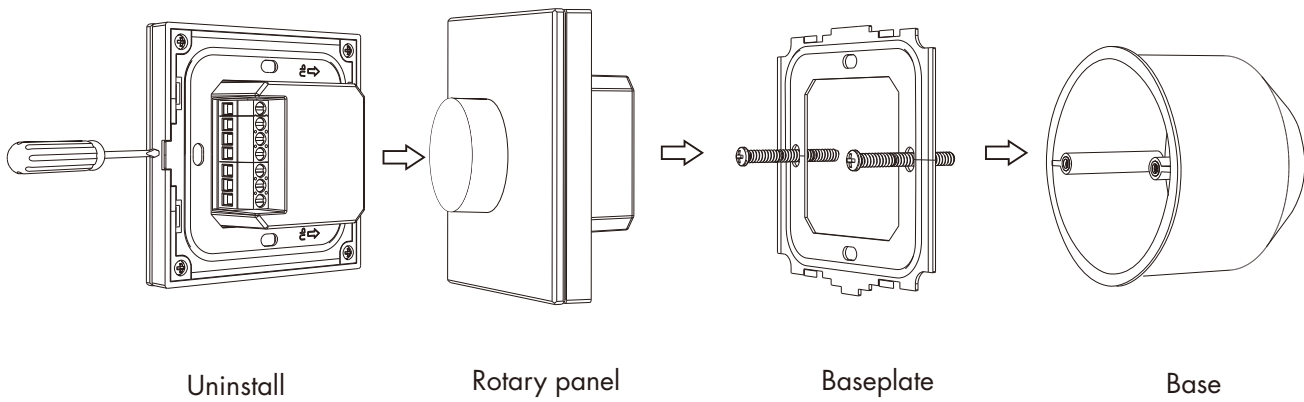
Environment	
Operation temperature	Ta: -30°C ~ +55°C
Case temperature (Max.)	Tc: +85°C
IP rating	IP20

Warranty	
Warranty	5 years

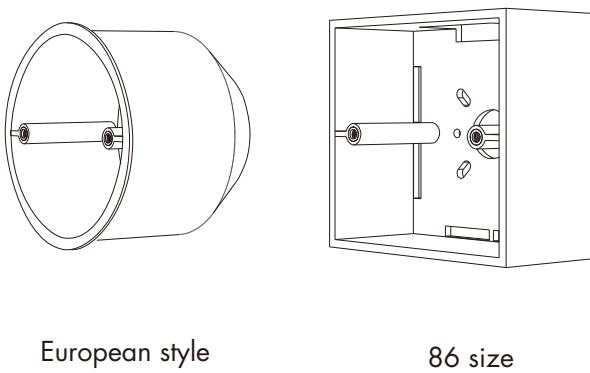
Mechanical Structures and Installations



Installation diagram:



Typical base as below:

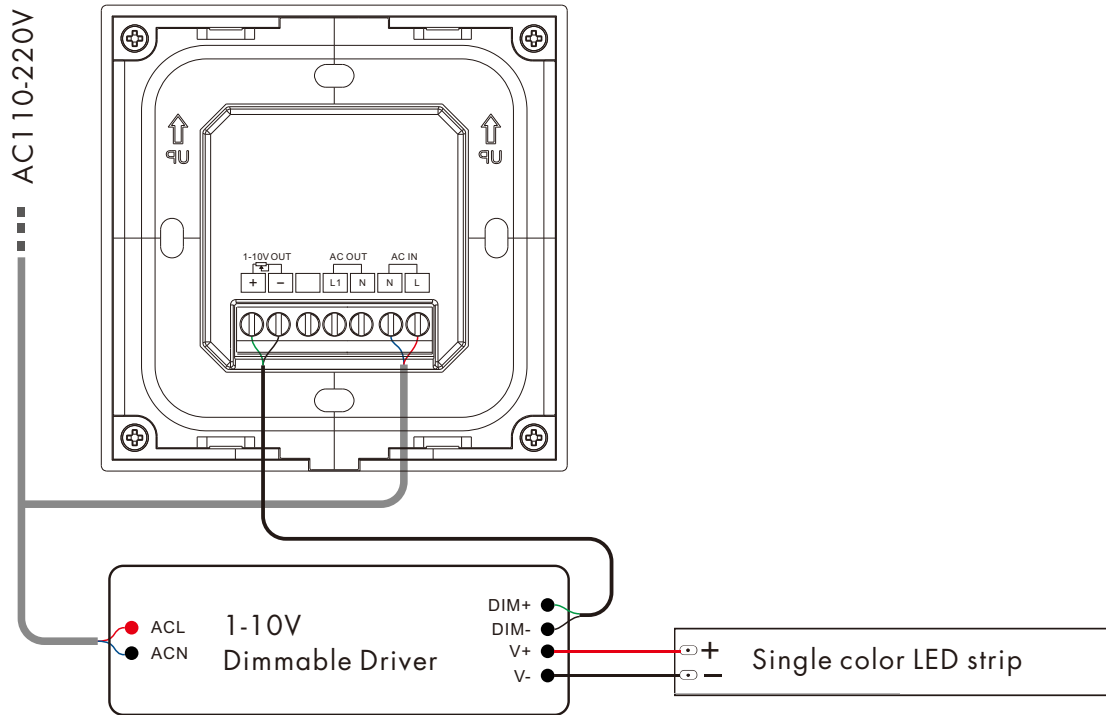


Knob function

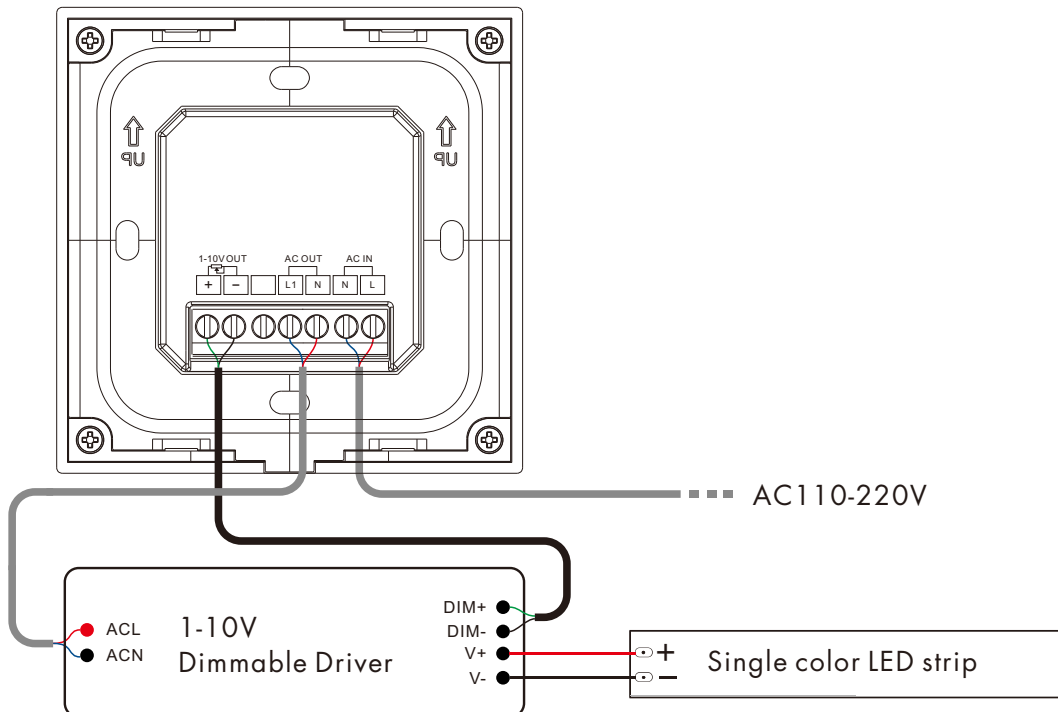
- Push: Turn on or off light.
- After turn on light:
- Rotate: Rotate knob to adjust brightness, 2.5 turns, 50 levels.
 - Long push(1-6s): Continuous 256 levels brightness adjustment.

Wiring diagram

- Connect with 1-10V dimming driver (no use AC OUT)



- Connect with 1-10V dimming driver (use AC OUT)



Match Remote Control (two match ways)

The 1-10V rotary panel dimmer can also match with the RF dimming remote (optional). End user can choose the suitable match/delete ways. Two options are offered for selection:

Use Knob

Match:

Turn on light, turn off, immediately push the knob for 5s, then press on/off key (single zone remote) or zone key (multiple zone remote) of the RF remote within 5s.

Delete:

Turn on light, turn off, immediately push the knob for 10s, delete all matched RF remote.

Use Power Restart

Match:

Switch off the power, then switch on power again, immediately short press on/off key (single zone remote) or zone key (multiple zone remote) 3 times on the remote. The light blinks 3 times means match is successful.

Delete:

Switch off the power, then switch on power again, immediately short press on/off key (single zone remote) or zone key (multiple zone remote) 5 times on the remote. The light blinks 5 times means all matched remotes were deleted.

Malfunctions analysis & troubleshooting

Malfunctions	Causes	Troubleshooting
No light	<ol style="list-style-type: none"> 1. No power. 2. Wrong connection or insecure. 	<ol style="list-style-type: none"> 1. Check the power. 2. Check the connection.
No response from the remote	<ol style="list-style-type: none"> 1. The battery has no power. 2. Beyond controllable distance. 3. The controller did not match the remote. 	<ol style="list-style-type: none"> 1. Replace battery. 2. Reduce remote distance. 3. Re-match the remote.