

# 1-10V Rotary Glass Panel Dimmer



Model No.: T18-3

Rotary dimming/Glass panel/AC relay output/Wireless remote control



CE RoHS  LVD

## Features

- Rotary glass panel 1-10V dimmer, 1 channel output.
- Output 1 channel 1-10V signal, connect with 1-10V dimmable driver.
- High voltage AC input, High voltage AC relay output.
- Rotate knob to change brightness, support push and long push operation.
- 256 levels 0-100% dimming smoothly without any flash.
- Compatibility with Skydance's 2.4G single zone or multiple zone dimming remote control.

## Technical Parameters

Input and Output	
Input voltage	AC85-265V
Output voltage	AC85-265V
Output signal	1-10V (20mA)
Output current	Max 1.5A (AC)

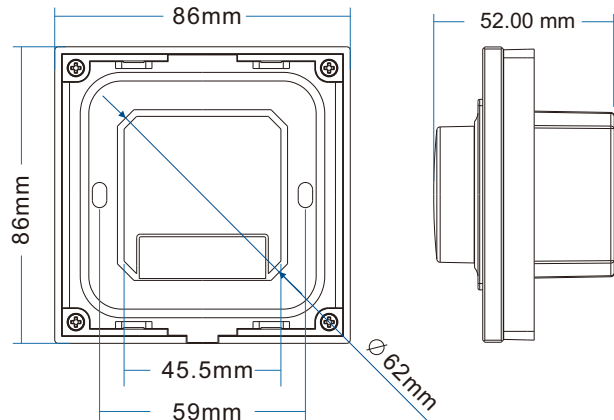
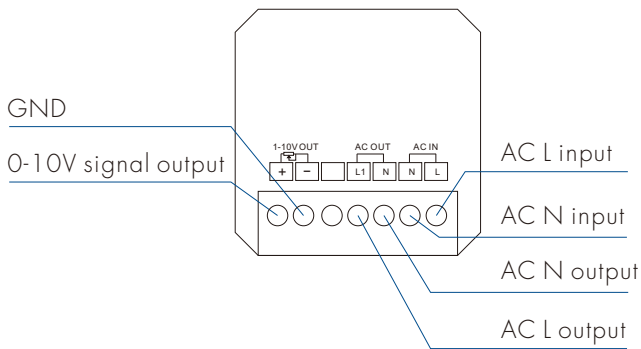
Safety and EMC	
EMC standard (EMC)	EN 55015:2013 EN 61547:2009 EN 61000-3-2:2014 EN 61000-3-3:2013
Safety standard(LVD)	EN 61347-2-11:2002 EN 61347-1:2015 EN 62493:2015
Certification	CE,EMC,LVD

Dimming data	
Input signal	Rotary knob + RF 2.4GHz
RF Control distance	30m
Dimming level	256 levels
Dimming range	0-100%

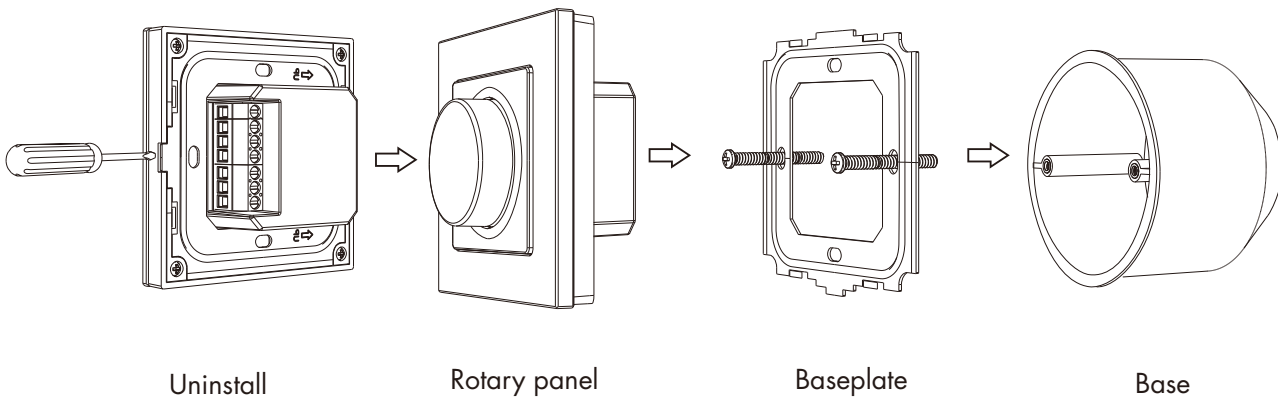
Environment	
Operation temperature	Ta: -30 °C ~ +55 °C
Case temperature (Max.)	Tc: +85 °C
IP rating	IP20

Warranty	
Warranty	5 years

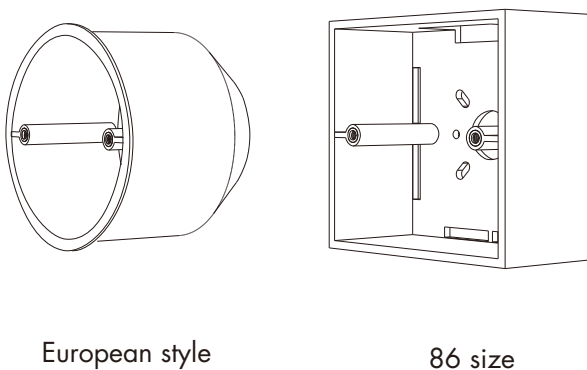
## Mechanical Structures and Installations



Installation diagram:



Typical base as below:

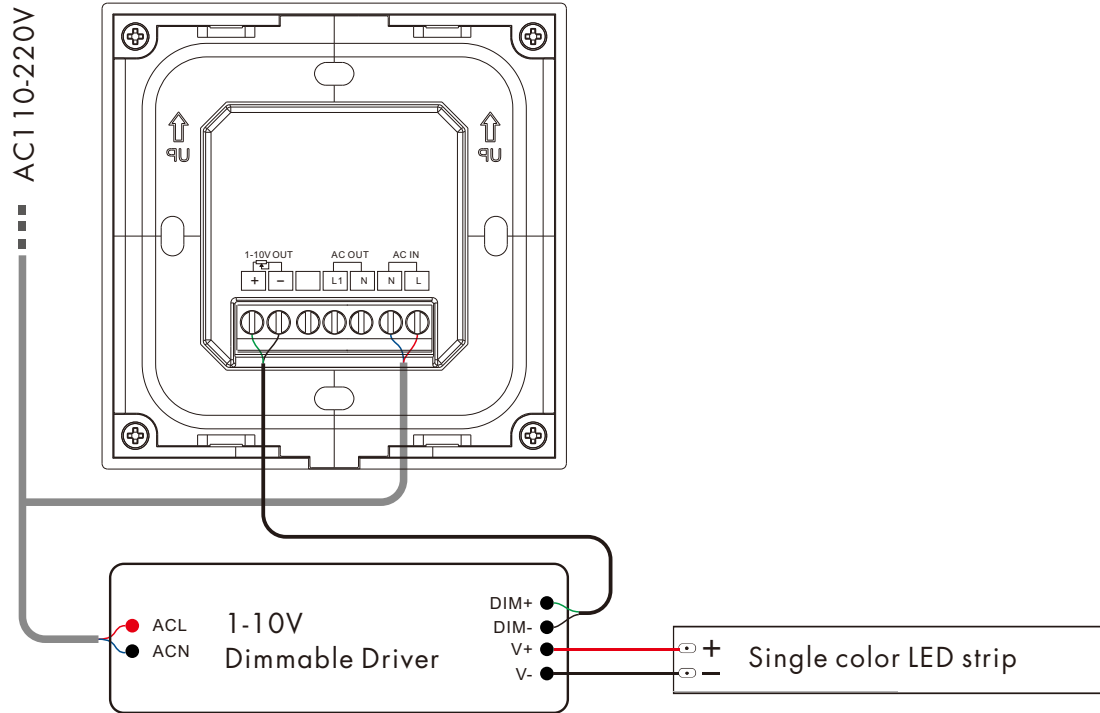


## Knob function

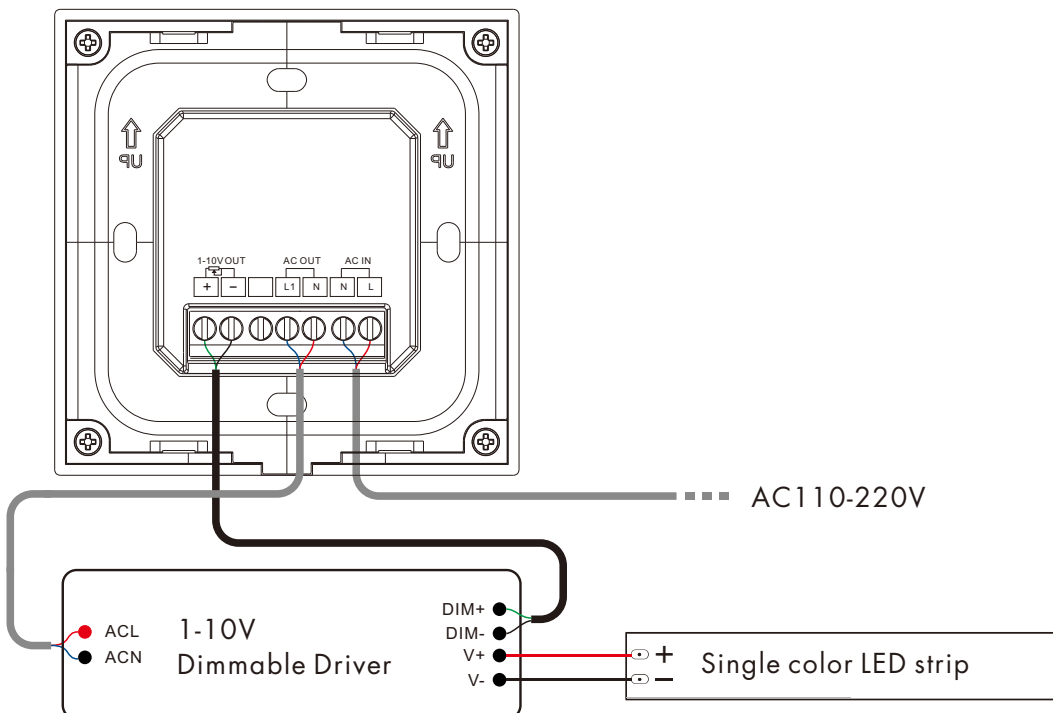
- Push: Turn on or off light.
- After turn on light:
- Rotate: Rotate knob to adjust brightness, 2.5 turns, 50 levels.
  - Long push(1-6s): Continuous 256 levels brightness adjustment.

## Wiring diagram

- Connect with 1-10V dimming driver (no use AC OUT)



- Connect with 1-10V dimming driver (use AC OUT)



## Match Remote Control (two match ways)

The 1-10V rotary panel dimmer can also match with the RF dimming remote (optional). End user can choose the suitable match/delete ways. Two options are offered for selection:

### Use Knob

**Match:**

Turn on light, turn off, immediately push the knob for 5s, then press on/off key (single zone remote) or zone key (multiple zone remote) of the RF remote within 5s.

**Delete:**

Turn on light, turn off, immediately push the knob for 10s, delete all matched RF remote.

### Use Power Restart

**Match:**

Switch off the power, then switch on power again, immediately short press on/off key (single zone remote) or zone key (multiple zone remote) 3 times on the remote. The light blinks 3 times means match is successful.

**Delete:**

Switch off the power, then switch on power again, immediately short press on/off key (single zone remote) or zone key (multiple zone remote) 5 times on the remote. The light blinks 5 times means all matched remotes were deleted.

## Malfunctions analysis & troubleshooting

Malfunctions	Causes	Troubleshooting
No light	<ol style="list-style-type: none"> <li>1. No power.</li> <li>2. Wrong connection or insecure.</li> </ol>	<ol style="list-style-type: none"> <li>1. Check the power.</li> <li>2. Check the connection.</li> </ol>
No response from the remote	<ol style="list-style-type: none"> <li>1. The battery has no power.</li> <li>2. Beyond controllable distance.</li> <li>3. The controller did not match the remote.</li> </ol>	<ol style="list-style-type: none"> <li>1. Replace battery.</li> <li>2. Reduce remote distance.</li> <li>3. Re-match the remote.</li> </ol>