

Wall Mounted Touch Panel



Model No.: T20, T20-1, T20-2, T20-3

1-4 Zone dimming switch/Glass touch panel/Wireless remote 30m distance/AAA x 2 battery



T20-1
1 Zone switch



T20-2
2 Zone switch



T20-3
3 Zone switch



T20
4 Zone switch

CE RoHS LVD RED

Features

- Touch panel 1/2/3/4 zone dimming switch RF remote.
- Each zone can remote control multiple receivers, including Skydance's 2.4G LED controller, dimming driver or smart lamp.
- Ultra sensitive high strength glass touch panel.
- Touch keys with chord tones and LED indicator.
- Free installation, no wiring, removable.
- AAA x 2 battery powered.

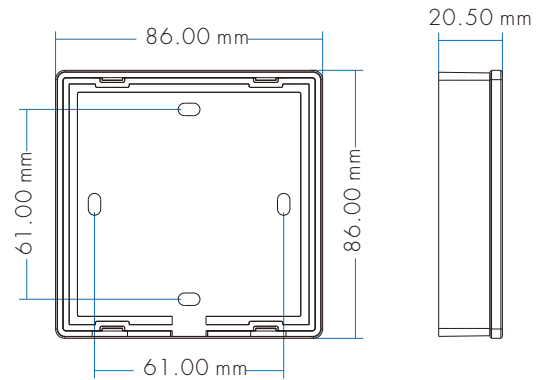
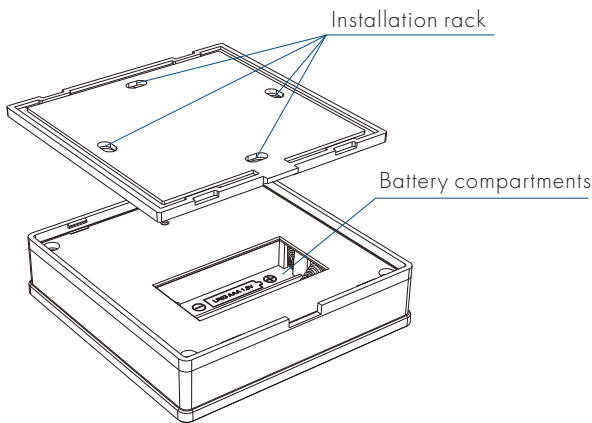
Technical Parameters

Input and Output	
Output signal	RF(2.4GHz)
Working voltage	3VDC(AAA x 2)
Working current	< 20mA
Standby current	< 20μA
Standby time	1 year
Remote distance	30m
Warranty	
Warranty	5 years

Safety and EMC	
EMC standard (EMC)	EN301 489,EN 62479
Safety standard(LVD)	EN60950
Radio Equipment(RED)	EN300 328
Certification	CE,EMC,LVD,RED

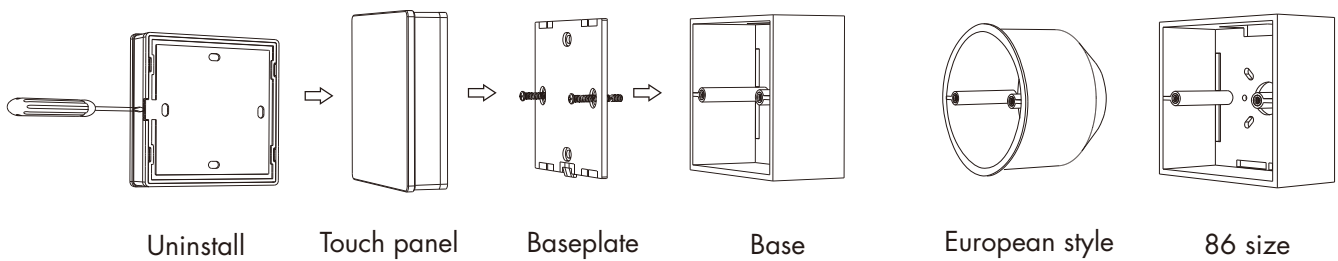
Environment	
Operation temperature	Ta: -30 °C ~ +55 °C
Case temperature (Max.)	Tc: +85 °C
IP rating	IP20

Mechanical Structures and Installations

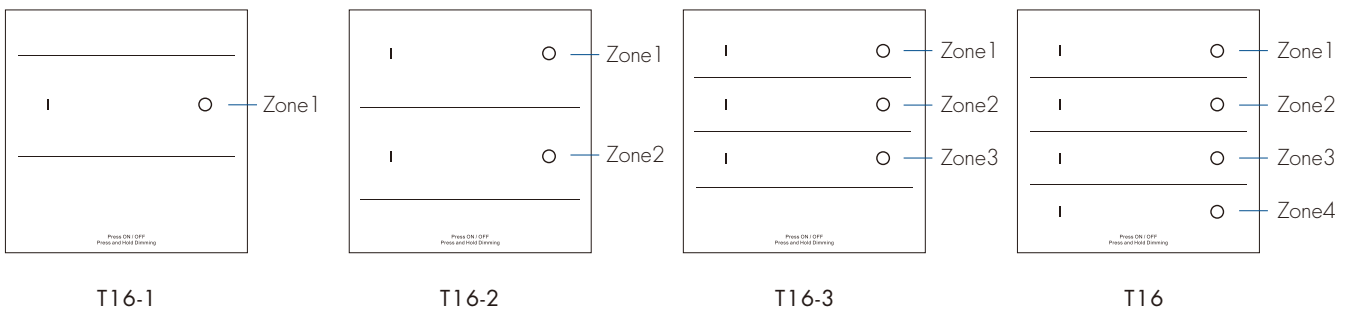


Installation diagram:

Typical base as below:



Key function



I — ON key

Short press: Turn on the light of each zone.

Long press(1-6s): Dimming up when light is on.

O — OFF key

Short press: Turn off the light of each zone.

Long press(1-6s): Dimming down when light is on.

Long press(5s) : Turn on or turn off tone when light is off.

Touch Panel work as RF remote (two match ways)

End user can choose the suitable match/delete ways. Two options are offered for selection:

Use the controller's Match key

Match:

Short press match key, immediately press ON key of the touch panel.

Delete:

Press and hold match key for 5s to delete all match, The light blinks 5 times means all matched remotes were deleted.

Use Power Restart

Match:

Switch off the power of the receiver, then switch on power again, immediately short press ON key 3 times on the touch panel. The light blinks 3 times means match is successful.

Delete:

Switch off the power of the receiver, then switch on power again, immediately short press ON key 5 times on the touch panel. The light blinks 5 times means all matched remotes were deleted.

Safety information

1. Read all instructions carefully before you begin this installation.
2. When installing battery, pay attention to the battery positive and negative polarity.
A long time without the remote control, remove the battery.
When remote distance becomes smaller and insensitive, replace the battery.
3. If no response from the receiver, please re-match the remote.
4. Gently handle remote, beware of falling.
5. For indoor and dry location use only.