

Wall Mounted Touch Panel



Model No.: T25-1

4 Zone/1-5 color in one/Glass touch panel/Color wheel/Wireless remote 30m distance/AAA x 2 battery



CE RoHS  LVD RED

Features

- Touch panel 4 zone 1-5 color universal RF remote.
- Each zone can be set as single color, dual color(WW/CW), RGB, RGBW or RGB+CCT light type.
- Each zone can remote control multiple Skydance's 2.4G LED controllers.
- Ultra sensitive high strength glass touch panel with touch color wheel in the middle.
- Smooth and accurate color adjustment by touching the color slide.
- Touch keys with chord tones and LED indicator.
- Free installation, no wiring, removable.
- AAA x 2 battery powered.

Technical Parameters

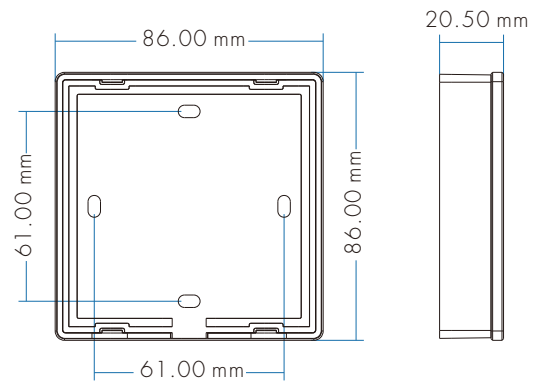
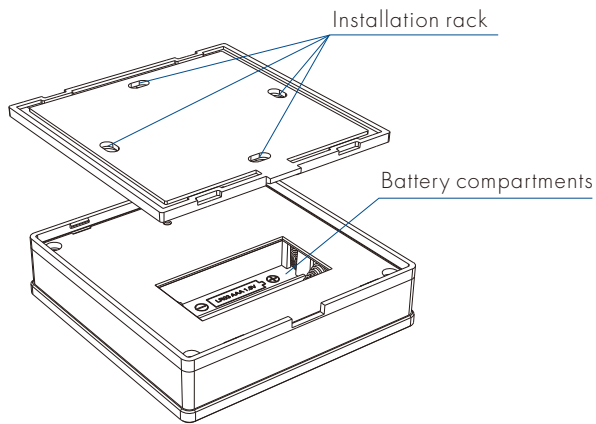
Input and Output	
Output signal	RF(2.4GHz)
Working voltage	3VDC(AAA x 2)
Working current	< 20mA
Standby current	< 20 μ A
Standby time	1 year
Remote distance	30m

Warranty	
Warranty	5 years

Safety and EMC	
EMC standard (EMC)	EN301 489,EN 62479
Safety standard(LVD)	EN60950
Radio Equipment(RED)	EN300 328
Certification	CE,EMC,LVD,RED

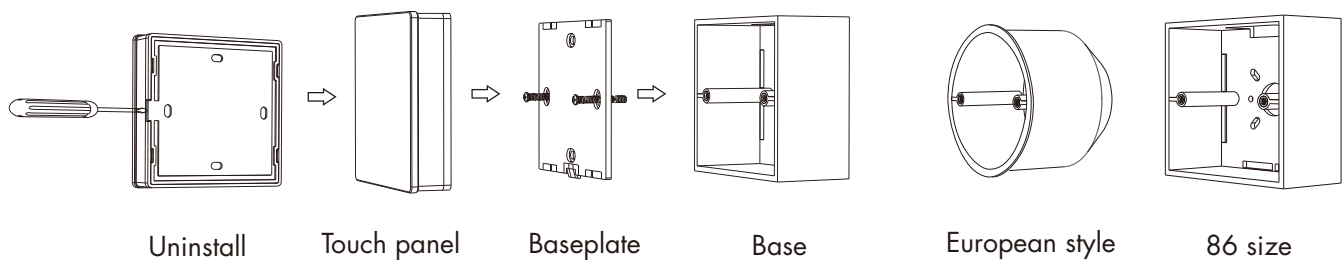
Environment	
Operation temperature	Ta: -30 $^{\circ}$ C ~ +55 $^{\circ}$ C
Case temperature (Max.)	Tc: +85 $^{\circ}$ C
IP rating	IP20

Mechanical Structures and Installations



Installation diagram:

Typical base as below:



To fix the panel, two options are offered for selection:

Option 1: fix it on the wall with two screws.

Option 2: adhere it to the wall with paster.

Match Remote Control (two match ways)

End user can choose the suitable match/delete ways. Two options are offered for selection:

Use the controller's Match key

Match:

Short press match key, immediately press Zone key of the touch panel.

Delete:

Press and hold match key for 5s to delete all match, The light blinks 5 times means all matched remotes were deleted.

Use Power Restart

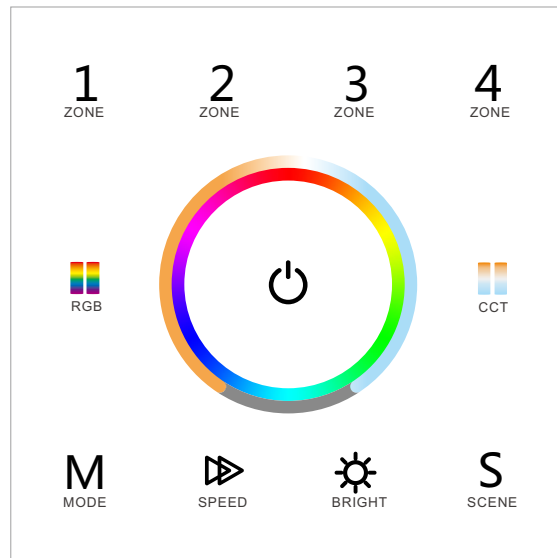
Match:

Switch off the power of the receiver, then switch on power again, immediately short press Zone key 3 times on the touch panel. The light blinks 3 times means match is successful.

Delete:

Switch off the power of the receiver, then switch on power again, immediately short press Zone key 5 times on the touch panel. The light blinks 5 times means all matched remotes were deleted.

Key function



Zone light type setting

Each zone can match single color, dual color(WW/CW), RGB, RGBW or RGB+CCT(WW/CW) controller or lamp.

Touch power key to turn on light, turn off light,

firstly long press power key for 5 seconds, enter zone light setting:

long press Zone 1/2/3/4 key 2 seconds, select current zone you want to change,
then long press below five key 2 seconds to change zone light type.


 : Long press 2 seconds, set current zone as single color type.

 : Long press 2 seconds, set current zone as dual color type.

 : Long press 2 seconds, set current zone as RGB color type.


 : Long press 2 seconds, set current zone as RGBW type.

 : Long press 2 seconds, set current zone as RGB+CCT type.


For example, If you want to change zone 1 light type as RGB type,
please long press Zone 1 key 2 seconds firstly,
then long press  2 seconds will set Zone 1 as RGB type.

When in zone light type setting state, all above long press key operation, the LED indicator will lighten red and blue.
Short press any key or touch color wheel, quit zone light type setting.


 — Turn on/off all zone light.


 — RGB color / Color temperature.
Press RGB or CCT key to switch between RGB wheel and CCT wheel.

 — RGB color, 24 levels.

 — For dual color or RGB+CCT(WW/CW), adjust color temperature by WW/CW channel, short press 11 levels, long press 2s get max or min color temperature.
For RGB, adjust color temperature by mix R/G/B channel, 11 levels.
For RGBW, adjust color temperature by adjust W channel brightness, 11 levels.
long press 2s get 100% or 0% White channel brightness.

M
MODE — Short press play 10 built-in mode, long press 2s run mode-cycle.

 — For dynamic RGB mode, adjust speed, short press 10 levels, long press 2s get the default speed.
For static RGB color, adjust saturation, namely change current static RGB color to mixed white slowly, short press 11 levels, long press 1-6s for continuous 256 levels adjustment.

 — Adjust brightness, short press 10 levels, long press 1-6s for continuous 256 levels adjustment.

S
SCENE — Short press replay scene. Long press 2s to save the current color into the scene.
4 zone recall or save synchronously.

1 2 3 4
ZONE ZONE ZONE ZONE

Short press turn on zone light and select zone simultaneously, long press 2s turn off zone light.

4 zone control separately or synchronously, each zone could control multiple receivers.

Only multiple zone have same light type can select synchronously.

Note:

- For single color, touch RGB/CCT wheel only change brightness, RGB, MODE, SPEED key is invalid.
- For dual color, touch RGB/CCT wheel only change color temperature, RGB, MODE, SPEED key is invalid.
- For RGB, when touch CCT wheel, adjust color temperature by mix R/G/B channel.
- For RGBW, when touch CCT wheel, adjust W channel brightness.
- After touch power key to turn off light, long press power key for 10 seconds will turn on or turn off tone.

Safety information

1. Read all instructions carefully before you begin this installation.
2. When installing battery, pay attention to the battery positive and negative polarity.
A long time without the remote control, remove the battery.
When remote distance becomes smaller and insensitive, replace the battery.
3. If no response from the receiver, please re-match the remote.
4. Gently handle remote, beware of falling.
5. For indoor and dry location use only.