

# RGB + Color Temperature

10W/Wireless remote control/AC input/50000h lifespan/IP65

CE RoHS  LVD RED

<p>0-100% Dimming</p> 	<p>Color Temperature</p> 	<p>Millions of colors</p> 
---	--	---



<p><b>10<sub>w</sub></b></p>		<p>Auto-transmitting Auto-synchronization</p> <p>50000h Lifespan 2.4G RF</p>  <p>Group Control with many zones, and endless LED bulbs in each zone</p>
------------------------------	---	--

**900 LUMENS**

## Feature

- Match with Skydance's 2.4G RGB+CCT remote control, One floodlight accept up to 10 remote control.
- Match with WiFi-relay device for smart phone control.
- 16 million colors and 10 dynamic mode, adjustable color temperature and saturation.
- Auto-transmitting function: floodlight automatically transmit signal to another floodlight with 30m control distance.
- Synchronize on multiple number of floodlights.
- Use Philips LED.
- 50,000 hours lifespan.
- IP65 Waterproof.

## Technical parameter

Model	TX01	LED QTY	PHILIPS 9pcs WW 3030 1W PHILIPS 9pcs CW 3030 1W SANAN 5pcs RGB 5050 1.5W
Power	10W		
Voltage	AC86V-265V 50/60Hz		
Color Temperature	2700-6500K		
Ra/CRI	>80	Lifespan(h)	50000h
PF(cos)	>0.5	Beam Angle	160°
Luminous Efficiency	90LM/W	Material	Aluminum + Glass
Luminous Flux(lm)	800-900LM	Dimensions	107*32*166mm

### Dimming data

Input signal	RF 2.4GHz
Control distance	30m
Dimming level	4096 levels
Dimming range	0-100%

### Safety and EMC

EMC standard (EMC)	EN301 489,EN 62479
Safety standard(LVD)	EN60950
Radio Equipment(RED)	EN300 328
Certification	CE,EMC,LVD,RED

### Environment

Operation temperature	Ta: -30 °C ~ +55 °C
Case temperature (Max.)	Tc: +85 °C
IP rating	IP65

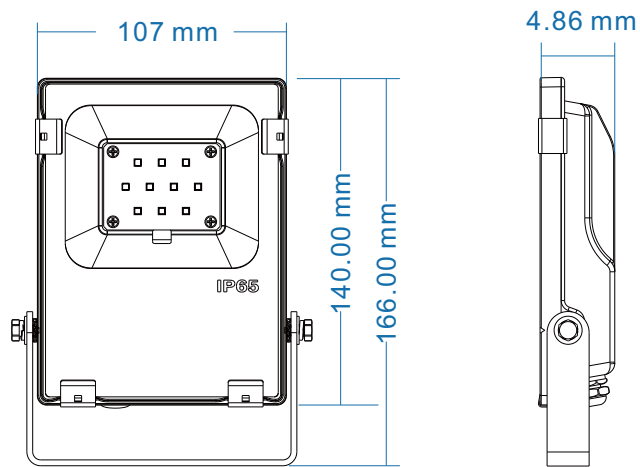
### Warranty

Warranty	3 years
----------	---------

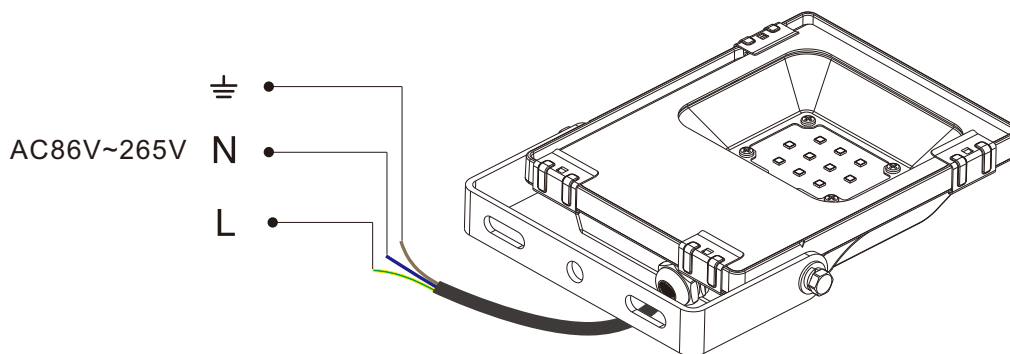
## Safety guide

1. Make sure the voltage is between AC86-265V.
2. When install the light, please switch off the power to make sure safety.
3. The working power is high voltage alternating current, so it must be far from people and must with ground connection.

## Dimension

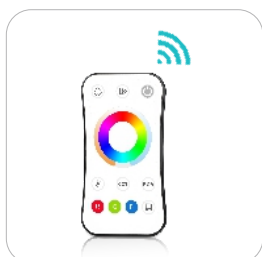


## Wiring Diagram



## Controlled by wireless 2.4GHz remote control

Handhold remote



Wall mounted remote



**Match method :**

Switch off the power of the floodlight, then switch on power again, immediately short press on/off key(single zone remote) or zone key(multiple zone remote) 3 times on the remote.

The light blinks 3 times means match is successful.

**Delete match :**

Switch off the power of the floodlight, then switch on power again, immediately short press on/off key(single zone remote) or zone key(multiple zone remote) 5 times on the remote.

The light blinks 5 times means delete all matched remote.

## Controlled by smartphone APP



WiFi Relay

Enter android market / App Store, Search SkySmart application software, download and install.

## Dynamic mode list

No.	Name	No.	Name
1	RGB jump	6	RGB fade in and out
2	RGB smooth	7	Red fade in and out
3	6 color jump	8	Green fade in and out
4	6 color smooth	9	Blue fade in and out
5	Color temperature smooth	10	White fade in and out

## Troubleshooting

- The floodlight does not respond to the RF remote.
  - Check if the power is switched on at the wall.
  - Check if the battery levels of the RF remote are normal, or replace battery.

- The floodlight changes unexpectedly by itself.

Possible reason: The floodlight may be controlled by another RF remote.

Solution: You can delete match firstly, then match again.