

User Guide

Constant Voltage Triac Dimmer

The dimmer is constant voltage dimmer, input DC12-48V as power input, input AC40V-220V as dimming signal, output current is 15A max. Support all triac dimming system, such as Lutrom, Clipsal, Dynalite, etc.

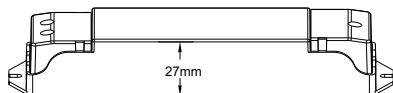
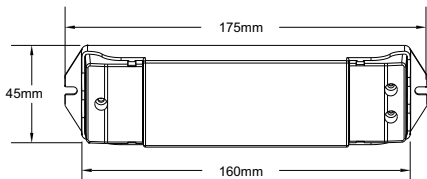
Feature

- Triac dimming, input AC40V-220V dimming signal.
- Support all Triac dimming system.
- One channel PWM constant voltage output, output current 15A max.
- Smooth dimming curve without any flicker.
- 0-100% brightness adjustment.
- Over current protection, short circuit protection, over temperature protection.
- LED indicate current state.

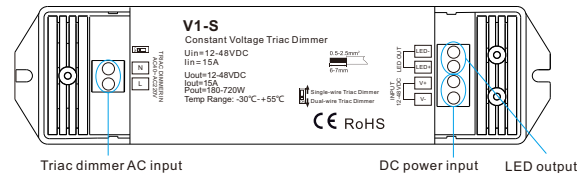
Technical parameters

- Input voltage: 12-48VDC
- Dimming voltage: 40-220VAC
- Output current: 15A max
- Output power: 12V: 180W max 24V: 360W max 36V: 540W max 48V: 720W max
- Working temperature: -30°C~55°C
- Product size: L175×W45×H27mm

Dimension



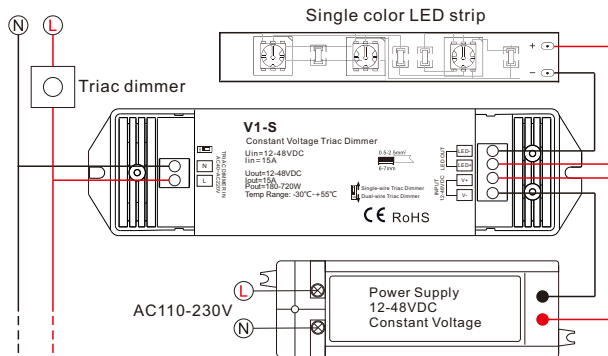
Interface specification



When use single-wire triac dimmer as input, such as Lutrom, Clipsal, Dynalite dimmer, adjust brightness consistency between different triac dimmer through potentiometer. the product adopt analog method detect dimming signal input, the brightness adjustable range is lesser and uneven slightly.

When use dual-wire triac dimmer as input, such as skydance's triac dimmer, the potentiometer is unused. the product adopt digital method detect dimming signal input, the brightness adjustable range is more greater and evenly.

Wiring diagram



Note: AC40V-220V dimming signal input can get 0%-100% brightness output, and the brightness is proportional to the input dimming signal. If the brightness can not go to 0% or 100%, please check the input voltage whether can get to the lowest or highest voltage.