

User Guide

Dual Color LED Strip Controller Set

The dual color LED controller set is designed with a touch color wheel, which offers fast and accurate color temperature adjustment by touching the wheel. The remote LED controller can adjust color temperature for warm white and cold white LEDs. Smooth dimming of each white with dimming range from 0.1% to 100% enables the dimmer controller to achieve millions of colors. Humanized memory function enables the controller remember the last color after turn off or cut off.

Feature

- Mini-style RF controller with 2 channel constant voltage output.
- Smooth dimming and switch without any flickering.
- Adopt 2.4GHz wireless technology, remote distance up to 30m.
- Auto-transmitting function, one receiver can transmit the signal from the remote to another receiver within 15m, so the remote control distance can be beyond 100m.
- Work with power repeater to expand output unlimitedly.

Technical parameter

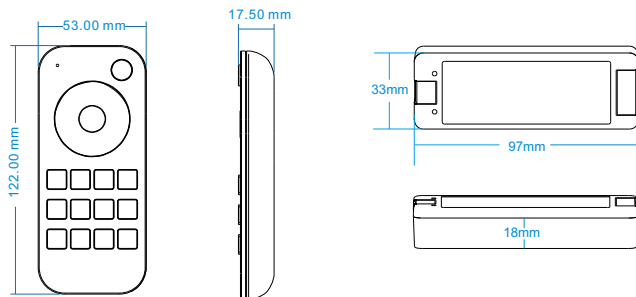
LED Remote

- Output signal: RF(2.4GHz)
- Working voltage: 3VDC(AAA*2pcs)
- Working current: < 5mA
- Standby current: < 10 μ A
- Standby time: 2 years
- Remote distance: 30m
- Dimension: L122×W53×H17.5mm

LED Receiver

- Input voltage: 12-24VDC
- Output power: 12V, Max 120W
24V, Max 240W
- Output current: 2CH, 5A/CH
- Size: L97×W33×H18mm


Dimension





Remote function




 : Turn on/off light.

 : Touch to change color temperature.

 : Adjust brightness, short press 10 levels, long press 1-5s for continuous 256 levels adjustment.

 : Get warm white or cold white directly.

 : 25%, 50%, 75%, 100% brightness.

 : Short press recall the scene, long press 2s save current color into S1/2/3/4.

Match guide

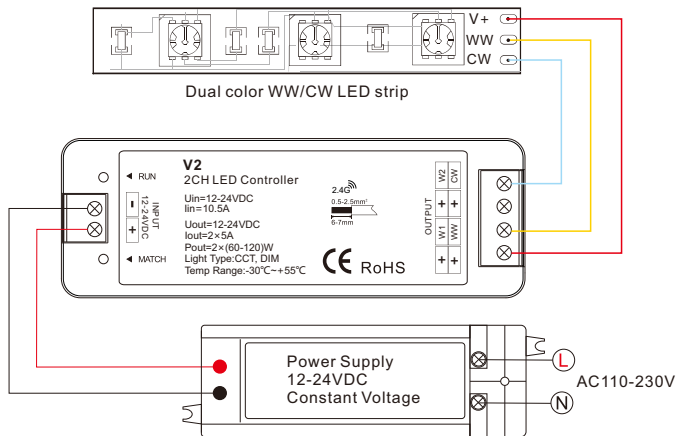
Use Match key

1. Match: Short press match key of the receiver, within 5s, press on/off key of the remote.
2. Delete: Long press match key of the receiver for 5s, delete all matched remote.

Use Power-up

1. Match: Switch off the power, then switch on power again, short press on/off key 3 times on the remote quickly within 5s after power on, the link is done once the light blinks 3 times.
2. Delete: Switch off the power, then switch on power again, short press on/off key 5 times on the remote quickly within 5s after power on, the unlink is done once the light blinks 5 times.

Wiring diagram



LED power supply voltage select:

- 12V lamp, Input 12V power supply, each channel can load 0~60W,
 - 24V lamp, Input 24V power supply, each channel can load 0~120W,
- The power supply power must larger than load power 20%.

Safety information

1. The product shall be installed and serviced by a qualified person.
2. This product is non-waterproof. Please avoid the sun and rain.
3. Good heat dissipation will prolong the working life of the controller. Please ensure good ventilation.
4. Please check if the output voltage of any power supplies used comply with the working voltage of the product.
5. Ensure all wire connections and polarities are correct and secure before applying power to avoid any damages to the LED lights.
6. If a fault occurs please return the product to your supplier. Do not attempt to fix this product by yourself.

Malfunctions analysis & troubleshooting

Malfunctions	Causes	Troubleshooting
No light	1. No power. 2. Wrong connection or insecure.	1. Check the power. 2. Check the connection.
Wrong color	1. Wrong connection of WW/CW wires.	1. Reconnect WW/CW wires.
No response from the remote	1. The battery has no power. 2. Beyond controllable distance. 3. The controller did not match the remote.	1. Replace battery. 2. Reduce remote distance. 3. Re-match the remote.