

User Guide

RGB LED Strip Controller

Summary

- Mini style controller with 3 channel constant voltage output.
- RGB controller, need match RGB remote, create colorful static or dynamic effect.
- Full compatibility with a variety of RGB remote.
- Smooth dimming and switch without any flickering.
- When control RGB light, built in 10 mode, include jump or gradual change style.
- Adopt 2.4GHz wireless technology, can accept up to 10 remote control.
- Auto-transmitting function, one receiver can transmit the signal from the remote to another receiver within 15m, so the remote control distance can be beyond 100m.
- Auto-synchronization function, different receivers can work synchronously when they are controlled by the same remote, under same dynamic mode and same speed.
- Can be WiFi controlled by APP installed on IOS or Android mobile devices while working with WiFi-Relay controller.
- User can customize own RGB change mode list by APP for advanced function.
- Work with power repeater to expand output unlimitedly.

Technical parameter

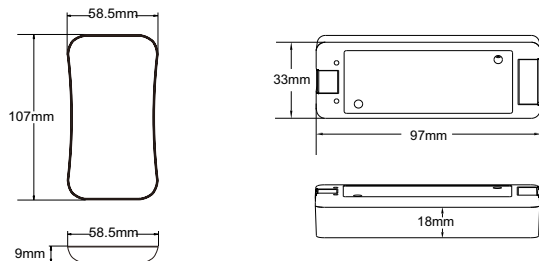
LED Remote

- Output signal: RF(2.4GHz)
- Working voltage : 3VDC(CR2032)
- Standby time: 12 months
- Remote distance: 30m
- Size: L107×W58.5×H9mm

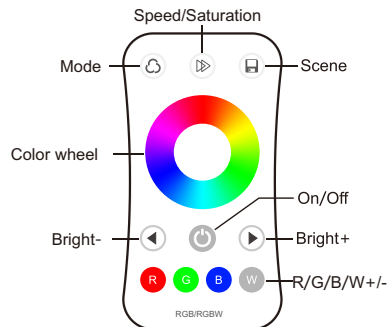
LED Receiver

- Input voltage: 12-24VDC
- Output power: 12V, Max 144W
24V, Max 288W
- Output current: 3CH, 4A/CH
- Size: L97×W33×H18mm

Dimension



Remote function



On/Off: Turn on/off light.

Color wheel: Touch to change static RGB color.

Mode: Short press run the next mode, long press 2s run mode cycle.

Speed/Saturation: For dynamic mode, adjust speed, short press 10 levels, long press 2s the default speed. For static color, adjust saturation, change current static color to mixed white slowly, short press 11 levels, long press 1-5s continuous 256 levels adjustment.

Bright+/-: Adjust brightness, short press 10 levels, long press 1-5s continuous 256 levels adjustment.

R/G/B: Adjust R/G/B brightness, short press turn on/off, long press 1-5s continuous 256 levels adjustment.

W+/-: Short press turn on/off white(RGB mix), long press 1-5s continuous 256 levels adjust saturation, namely change current static color to mixed white slowly.

Scene: Short press run the scene, long press 2s save.

Match guide

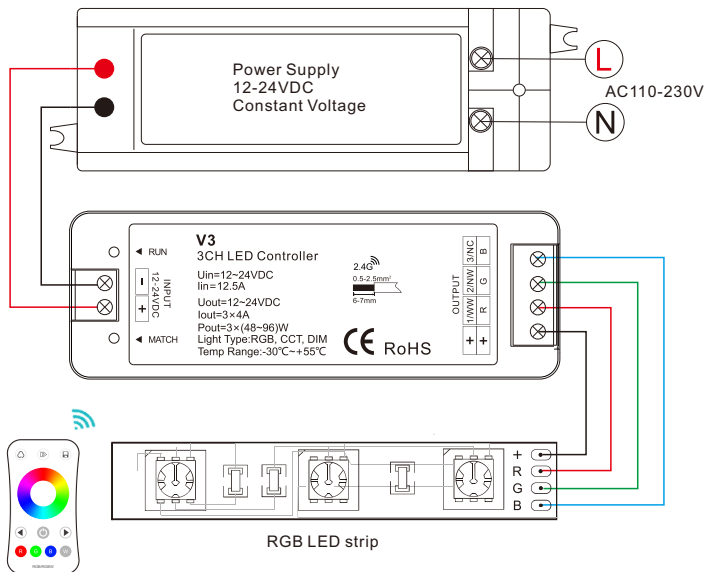
Use Match key

1. Match: Short press match key of the receiver, within 5s, press on/off key of the remote.
2. Delete: Long press match key of the receiver for 5s, delete all matched remote.

Use Power-up

1. Match: Switch off the power, then switch on power again, short press on/off key 3 times on the remote quickly within 5s after power on, the link is done once the light blinks 3 times.
2. Delete: Switch off the power, then switch on power again, short press on/off key 5 times on the remote quickly within 5s after power on, the unlink is done once the light blinks 5 times.

Wiring diagram



LED power supply voltage and power select:
 12V lamp, Input 12V power supply, can load 0~144W,
 24V lamp, Input 24V power supply, can load 0~288W,
 Power supply power must larger than load power 20%.

RGB change mode list

No.	Name	No.	Name
1	RGB jump	6	RGB fade in and out
2	RGB smooth	7	Red fade in and out
3	6 color jump	8	Green fade in and out
4	6 color smooth	9	Blue fade in and out
5	Yellow cyan purple smooth	10	White fade in and out

Malfunctions analysis & troubleshooting

Malfunctions	Causes	Troubleshooting
No light	1. No power. 2. Wrong connection or insecure.	1. Check the power. 2. Check the connection.
Wrong color	1. Wrong connection of R/G/B wires.	1. Reconnect R/G/B wires.
Uneven intensity between front and rear, with voltage drop	1. Output cable is too long. 2. Wire diameter is too small. 3. Overload beyond power supply capability. 4. Overload beyond controller capability.	1. Reduce cable or loop supply. 2. Change wider wire. 3. Replace higher power supply. 4. Add power repeater.
No response from the remote	1. The battery has no power. 2. Beyond controllable distance. 3. The controller did not match the remote.	1. Replace battery. 2. Reduce remote distance. 3. Re-match the remote.

Safety information

1. The product shall be installed and serviced by a qualified person.
2. This product is non-waterproof. Please avoid the sun and rain.
3. Good heat dissipation will prolong the working life of the controller, please ensure good ventilation.
4. Please check if the output voltage of any power supplies used comply with the working voltage of the product.
5. Ensure all wire connections and polarities are correct and secure before applying power to avoid any damages to the LED lights.
6. If a fault occurs please return the product to your supplier. Do not attempt to fix this product by yourself.