

# User Guide

## RGB LED Strip Controller Set

The RGB LED controller set is designed with multiple button RF remote, 10 static RGB static color shortcut key, accurately and independent dimming function of each R, G, B channel to achieve millions of colors. Built-in 10 dynamic mode can create fancy lighting effects, also you can save scene what you like.

### Feature

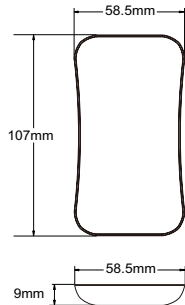
- Mini style controller with 3 channel constant voltage output.
- Smooth dimming and switch without any flickering.
- Built in 10 dynamic mode, include jump or gradual change style.
- Adopt 2.4GHz wireless technology, remote distance up to 30m.
- Auto-transmitting function, one receiver can transmit the signal from the remote to another receiver within 15m, so the remote control distance can be beyond 100m.
- Auto-synchronization function, different receivers can work synchronously when they are controlled by the same remote, under same dynamic mode and same speed.
- Work with power repeater to expand output unlimitedly.

### Technical parameter

#### LED Remote

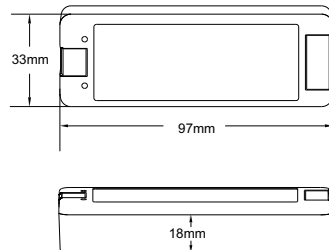
- Output signal: RF(2.4GHz)
- Working voltage : 3VDC(CR2032)
- Standby time: 2 years
- Remote distance: 30m
- Size: L107×W58.5×H9mm

#### Dimension

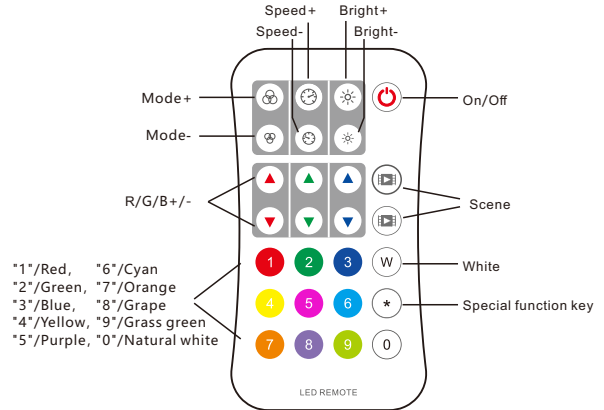


#### LED Receiver

- Input voltage: 12-24VDC
- Output power: 12V, Max 144W  
24V, Max 288W
- Output current: 3CH, 4A/CH
- Size: L97×W33×H18mm



## Remote function



**Mode+/-:** Short press switch dynamic mode built in controller,

long press 2s Mode+ run mode cycle, long press 2s Mode- run the first mode.

**Speed+/-:** Adjust dynamic mode speed, short press 10 levels,  
long press 2s get the fastest / slowest speed.

**Bright+/-:** Adjust brightness, short press 10 levels,  
long press 1-5s for continuous 256 levels adjustment.

**R/G/B+/-:** Adjust R/G/B brightness respectively,  
short press 10 levels, long press 1-5s for continuous 256 levels adjustment.

**White:** Adjust white color, short press turn on/off white(RGB mix),  
long press 1-5s for continuous 256 levels saturation adjustment.

**Scene:** Two scene memory, short press recall the scene, long press 2s save current color into the scene.

### Match guide

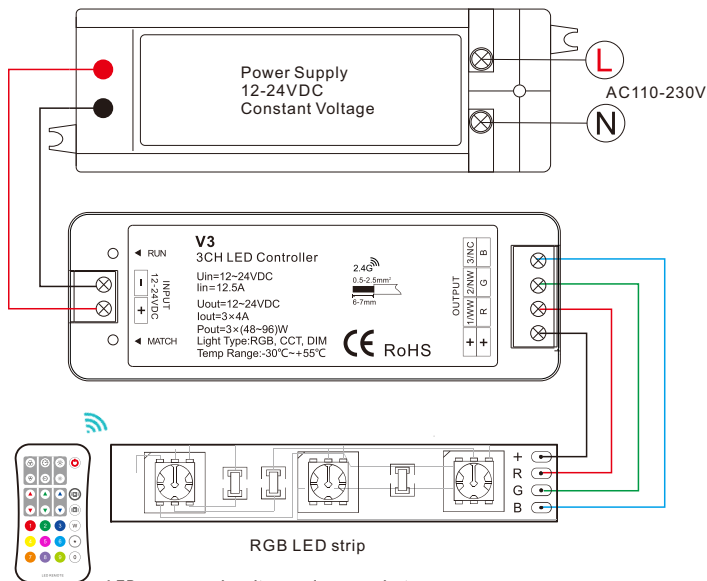
#### Use Match key

1. Match: Short press match key of the receiver, then press on/off key of the remote within 5s.
2. Delete: Long press match key of the receiver for 5s, delete all matched remote.

#### Use Power-up

1. Match: Switch off the power, then switch on power again,  
short press on/off key 3 times on the remote quickly within 5s after power on,  
the link is done once the light blinks 3 times.
2. Delete: Switch off the power, then switch on power again,  
short press on/off key 5 times on the remote quickly within 5s after power on,  
the unlink is done once the light blinks 5 times.

## Wiring diagram



### LED power supply voltage and power select:

12V lamp, Input 12V power supply, can load 0~144W,  
 24V lamp, Input 24V power supply, can load 0~288W,  
 Power supply power must larger than load power 20%.

## Malfunctions analysis & troubleshooting

Malfunctions	Causes	Troubleshooting
No light	1. No power. 2. Wrong connection or insecure.	1. Check the power. 2. Check the connection.
Wrong color	1. Wrong connection of R/G/B wires.	1. Reconnect R/G/B wires.
Uneven intensity between front and rear, with voltage drop	1. Output cable is too long. 2. Wire diameter is too small. 3. Overload beyond power supply capability. 4. Overload beyond controller capability.	1. Reduce cable or loop supply. 2. Change wider wire. 3. Replace higher power supply. 4. Add power repeater.
No response from the remote	1. The battery has no power. 2. Beyond controllable distance. 3. The controller did not match the remote.	1. Replace battery. 2. Reduce remote distance. 3. Re-match the remote.

## Safety information

1. The product shall be installed and serviced by a qualified person.
2. This product is non-waterproof. Please avoid the sun and rain.
3. Good heat dissipation will prolong the working life of the controller, please ensure good ventilation.
4. Please check if the output voltage of any power supplies used comply with the working voltage of the product.
5. Ensure all wire connections and polarities are correct and secure before applying power to avoid any damages to the LED lights.
6. If a fault occurs please return the product to your supplier. Do not attempt to fix this product by yourself.

## Dynamic mode list

No.	Name	No.	Name
1	RGB jump	6	RGB fade in and out
2	RGB smooth	7	Red fade in and out
3	6 color jump	8	Green fade in and out
4	6 color smooth	9	Blue fade in and out
5	Yellow cyan purple smooth	10	White fade in and out