

RGBW/RGB/CCT/Dimming 4 Channel LED RF Controller



Model No.: V4-X

4 Channels/Step-less dimming/Wireless remote control/Auto-transmitting/Synchronize/Multiple protection



FC CE RoHS emc LVD RED

Features

- Match with Skydance's 2.4G single zone or multiple zone single color, dual color and RGB/RGBW remote control.
- One RF controller accept up to 10 remote control.
- 4096 levels 0-100% dimming smoothly without any flash.
- When using with RGB/RGBW light, built in 10 dynamic mode, include jump or gradual change style.
- Auto-transmitting function: Controller automatically transmit signal to another controller with 15m control distance.
- Synchronize on multiple number of controllers.
- Over-load / Short circuit protection, recover automatically.

Technical Parameters

Input and Output	
Input voltage	12-48VDC
Input current	32.5A@12/24V 20.5A@36/48V
Output voltage	4 x (12-48)VDC
Output current	4x8A@12/24V 4x5A@36/48V
Output power	4x96W@12V 4x192W@24V 4x180W@36V 4x240W@48V
Output type	Constant voltage

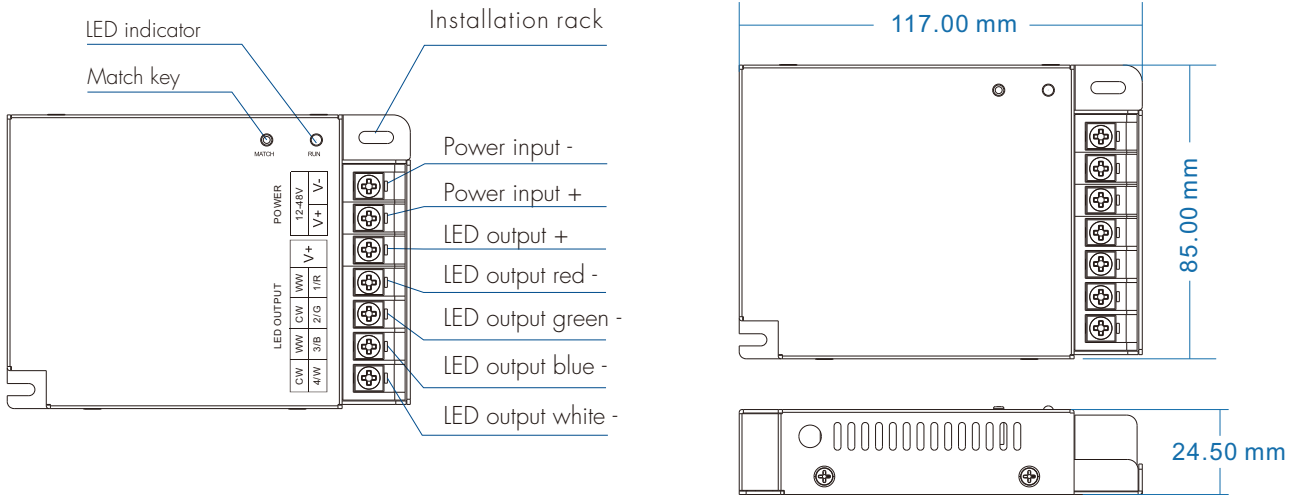
Safety and EMC	
EMC standard (EMC)	EN301 489,EN 62479
Safety standard(LVD)	EN60950
Radio Equipment(RED)	EN300 328
Certification	CE,EMC,LVD,RED

Dimming data	
Input signal	RF 2.4GHz
Control distance	15m
Dimming level	4096 levels
Dimming range	0 -100%
Dimming curve	Logarithmic
PWM Frequency	500Hz (default)

Environment	
Operation temperature	Ta: -30 °C ~ +55 °C
Case temperature (Max.)	Tc: +85 °C
IP rating	IP20

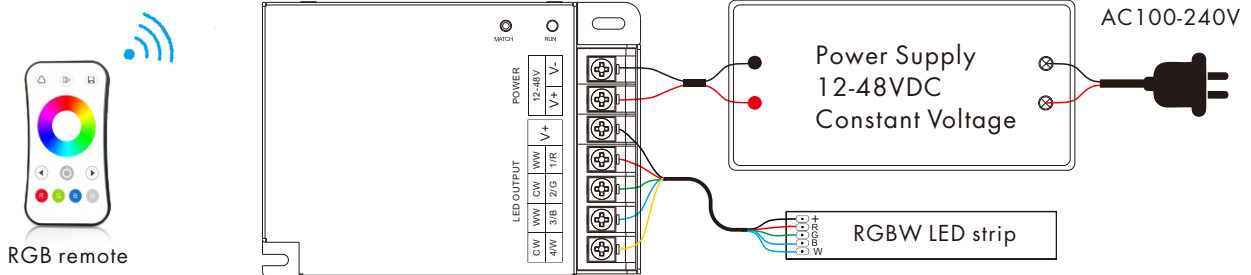
Warranty and Protection	
Warranty	5 years
Protection	Reverse Polarity Over-load Short circuit

Mechanical Structures and Installations



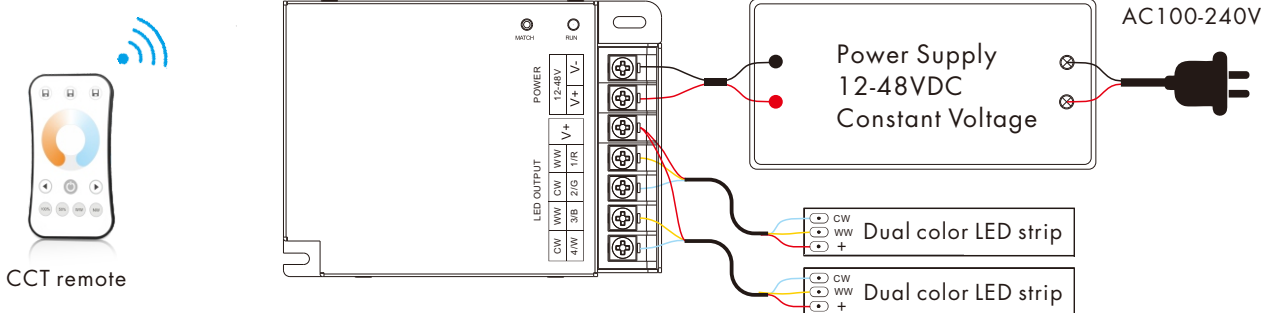
Wiring Diagram

- V4-X for RGB/RGBW

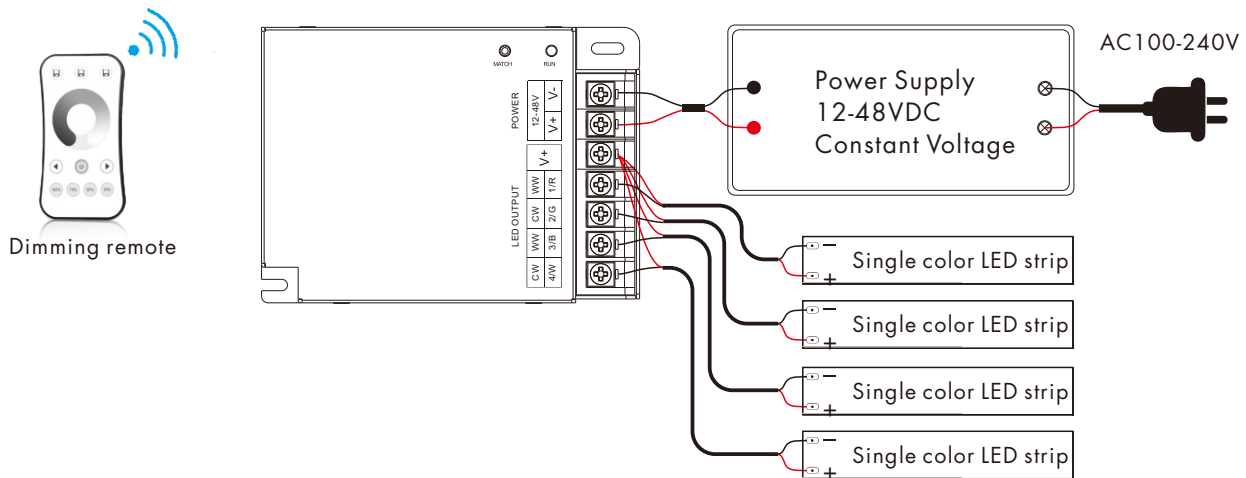


Note: If connect with RGB LED strip, please long press match key for 15s, the controller will become RGB type.

- V4-X for dual color



- V4-X for single color



Match Remote Control (two match ways)

End user can choose the suitable match/delete ways. Two options are offered for selection:

Use the controller's Match key

Match:

Short press match key, immediately press on/off key (single zone remote) or zone key (multiple zone remote) of the remote.

Delete:

Press and hold match key for 5s to delete all match, The light blinks 5 times means all matched remotes were deleted.

Use Power Restart

Match:

Switch off the power, then switch on power again, immediately short press on/off key (single zone remote) or zone key (multiple zone remote) 3 times on the remote. The light blinks 3 times means match is successful.

Delete:

Switch off the power, then switch on power again, immediately short press on/off key (single zone remote) or zone key (multiple zone remote) 5 times on the remote. The light blinks 5 times means all matched remotes were deleted.

RGB/RGBW Dynamic mode list

No.	Name	No.	Name
1	RGB jump	6	RGB fade in and out
2	RGB smooth	7	Red fade in and out
3	6 color jump	8	Green fade in and out
4	6 color smooth	9	Blue fade in and out
5	Yellow cyan purple smooth	10	White fade in and out

Dual color control

CH1,CH3=Warm white LED

CH2,CH4=Cool white LED

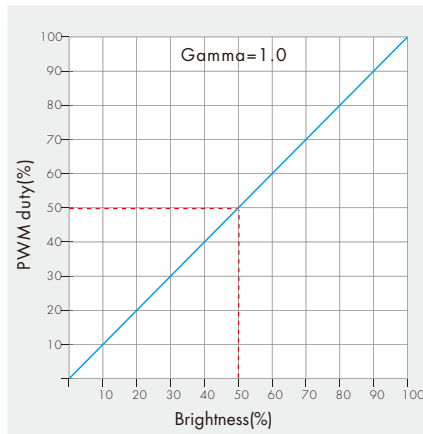
Each channel can supply up to 192W(@24V) and white balance can be controlled as such:

Color temperature	Cool white	Neutral white	Warm white
Power distribution	CH1=0W,CH2=192W CH3=0W,CH4=192W	CH1=96W,CH2=96W CH3=96W,CH4=96W	CH1=192W,CH2=0W CH3=192W,CH4=0W

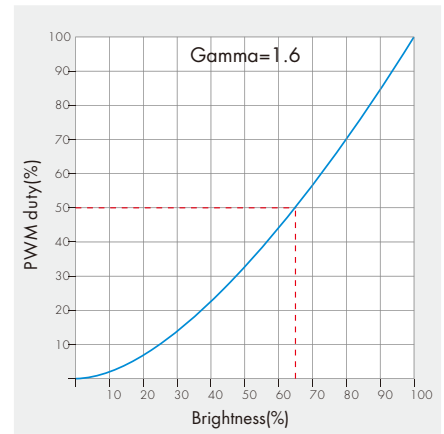
Linear dual color tuning



Dimming curve for CCT



Dimming curve for RGBW/RGB/DIM



Malfunctions analysis & troubleshooting

Malfunctions	Causes	Troubleshooting
No light	<ol style="list-style-type: none"> 1. No power. 2. Wrong connection or insecure. 	<ol style="list-style-type: none"> 1. Check the power. 2. Check the connection.
Wrong color	<ol style="list-style-type: none"> 1. Wrong connection of R/G/B/W wires. 	<ol style="list-style-type: none"> 1. Reconnect R/G/B/W wires.
Uneven intensity between front and rear, with voltage drop	<ol style="list-style-type: none"> 1. Output cable is too long. 2. Wire diameter is too small. 3. Overload beyond power supply capability. 4. Overload beyond controller capability. 	<ol style="list-style-type: none"> 1. Reduce cable or loop supply. 2. Change wider wire. 3. Replace higher power supply. 4. Add power repeater.
No response from the remote	<ol style="list-style-type: none"> 1. The battery has no power. 2. Beyond controllable distance. 3. The controller did not match the remote. 	<ol style="list-style-type: none"> 1. Replace battery. 2. Reduce remote distance. 3. Re-match the remote.