

512CH DMX Master

CE ROHS



Model: XC

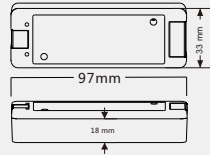
Summary

- Mini style DMX master, which receives RF signal from remoter, and sends international standard DMX512/1990 signal to DMX512 decoders, so that the DMX controller can be remote controlled.
- Can connect more than one constant voltage or constant current DMX decoder, or direct control RGB LED lamps with DMX decode chip.
- Adopt 2.4GHz wireless technology, can accept up to 10 RGB remoter control.
- Built in 32 change mode optional, adjustable speed and brightness.

Technical parameter

- Input voltage: 5-24VDC
- Output signal: DMX512
- Output channel number: 512(170 RGB pixels)
- Working temperature: -30°C~55°C
- Dimension: L97×W33×H18mm
- Weight: 39g

Dimension



Interface Instruction

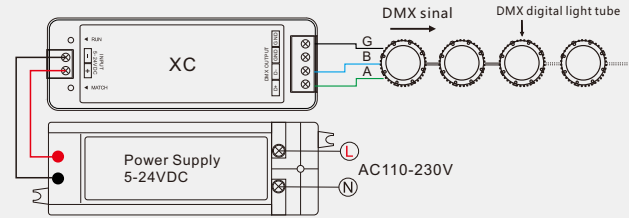


Match key function

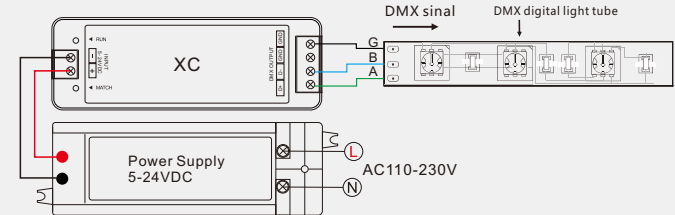
- Match with R9, R10, R14 or other RGB remoter.
- Short press: Within 5s, press any key of the remoter for match.
Multi-zone remoter press zone key.
- Long press(5s): Delete all matched remoter, lights remain in the current state.
- Long press(10s): Restore factory default parameters.

Wiring diagram

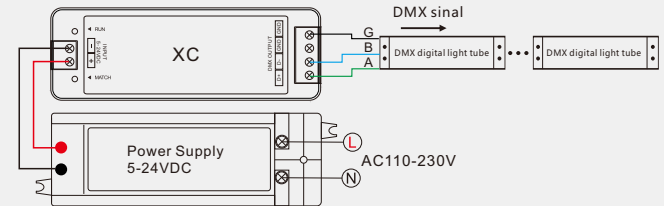
1. Connect DMX spot light :



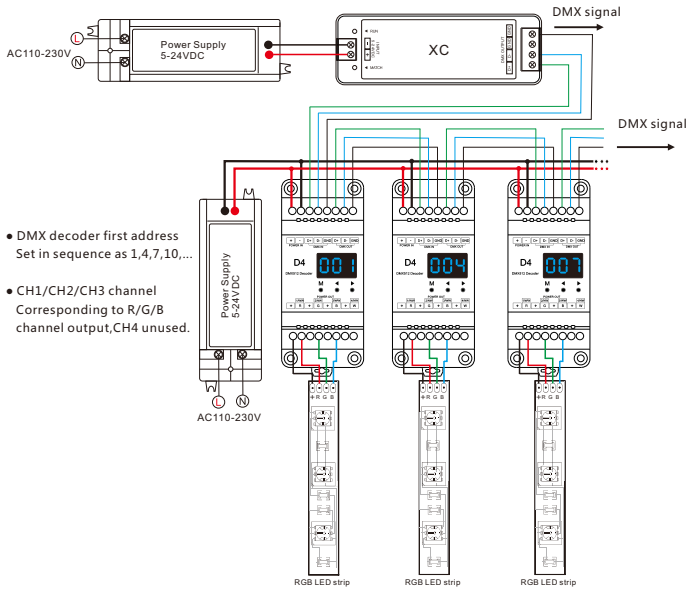
2. Connect SPI pixel strip(LPD6803) :



3. Connect SPI Digital light tube(TM1809) :



4. Connect DMX-PWM four channel decoder



- DMX decoder first address Set in sequence as 1,4,7,10,....
- CH1/CH2/CH3 channel Corresponding to R/G/B channel output, CH4 unused.

RGB Change mode list

No.	Name	No.	Name	No.	Name
1	Red horse race white ground	12	Blue White chase	23	Purple float
2	Green horse race white ground	13	Green Cyan chase	24	RGBW float
3	Blue horse race white ground	14	RGB chase	25	Red Yellow float
4	Yellow horse race blue ground	15	7 color chase	26	Green Cyan float
5	Cyan horse race blue ground	16	Blue meteor	27	Blue Purple float
6	Purple horse race blue ground	17	Purple meteor	28	Blue White float
7	7 color multi horse race	18	White meteor	29	6 color float
8	7 color horse race close + open	19	7 color meteor	30	6 color smooth sectionally
9	7 color multi horse race close + open	20	Red float	31	7 color jump sectionally
10	7 color scan close + open	21	Green float	32	7 color strobe sectionally
11	7 color multi-scan close + open	22	Blue float		

Malfunctions analysis & troubleshooting

Malfunctions	Causes	Troubleshooting
No light	1. No power. 2. Wrong connection or insecure.	1. Check the power. 2. Check the connection.
Wrong color	1. DMX decoder first address error. 2. Wrong connection of RGB wires.	1. Check the DMX first address. 2. Reconnect RGB wires.
No response from the remoter	1. The battery has no power. 2. Beyond controllable distance. 3. The controller did not match the remoter.	1. Replace battery. 2. Reduce remote distance. 3. Re-match the remoter.

Safety & Warnings

1. The product shall be installed and serviced by a qualified person.
2. This product is non-waterproof. Please avoid the sun and rain.
3. Good heat dissipation will prolong the working life of the controller, please ensure good ventilation.
4. Please check if the output voltage of any power supplies used comply with the working voltage of the product.
5. Ensure all wire connections and polarities are correct and secure before applying power to avoid any damages to the LED lights.
6. If a fault occurs please return the product to your supplier. Do not attempt to fix this product by yourself.

Warranty Agreement

1. 5-year warranty:
 - The warranty is for free repair or replacement and covers manufacturing faults only.
 - Do not include fees of on site maintenance and consumable parts.
2. Limited Warranty
 - Artificial damage caused by improper use, such as use inappropriate power supply, improper accessories, improper installation, did not follow the instructions, error using or negligence.
 - Any damages caused by force majeure, such as natural disaster, abnormal voltage.
 - The normal use of products caused by aging, wear and tear, but it does not affect the normal use.