

User manual for 1 channel Single color Amplifier

Technical parameters

Working temperature: -20-60 °C

Working voltage: DC5V-24V

Static power consumption: <1W

Max. output current: <16A

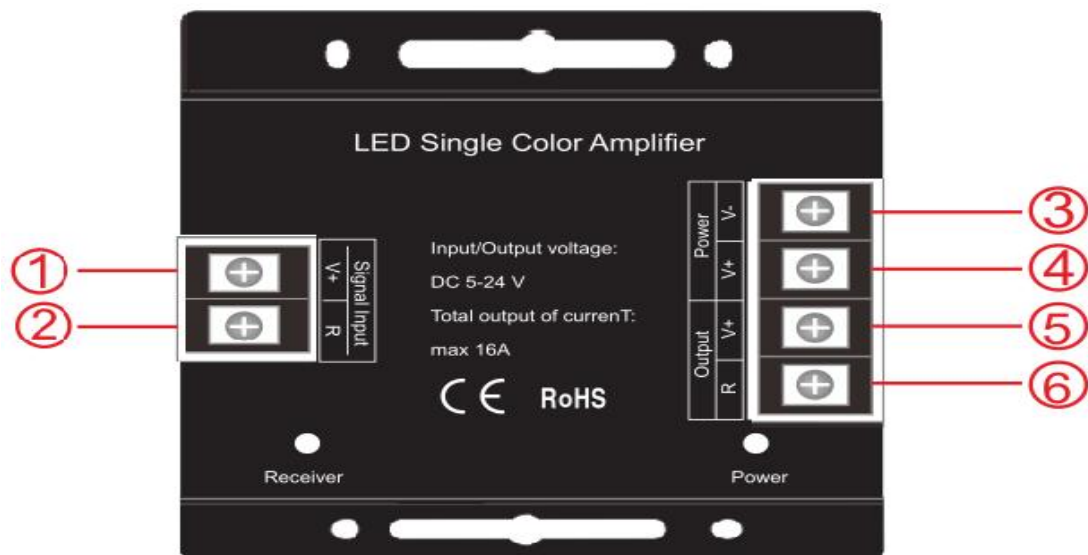
Max. output power: 384W/24V

Connect mode: common anode

External dimension: L83mm*W79mm*H33mm

Delay time: 20ns

Interface instruction



Signal control port:

- 1: connect with V+ of controller;
- 2: R channel connect with V- of controller;

Power and load output port:

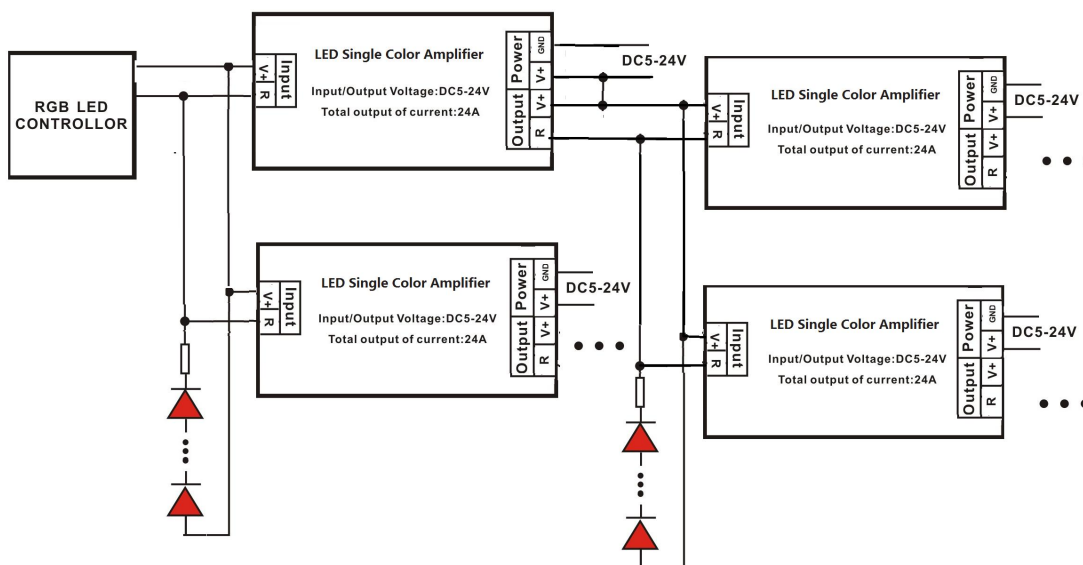
- 3: V- of Power supply;
- 4: V+ of Power supply;
- 5: V+ of load output;
- 6: R channel: V- of load output;

Indicator light:

“Power”: power indicator light, red light;

“Receiver”: dimming indicator, green light, brightness changes with PWM.

Technical Application



Warning

1. This product is power supply voltage is DC5V-24V, cannot connect to other voltage.
2. The power cables cannot be wrong connected, in order to avoid short-circuit.
3. The outlet should be connected correctly according to the color shown in the wiring diagram.