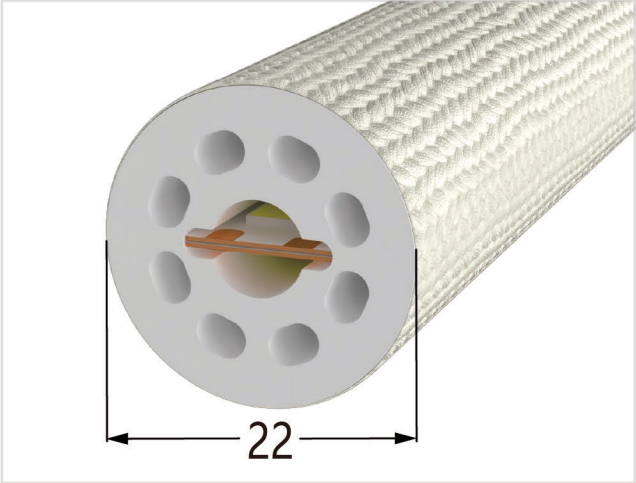


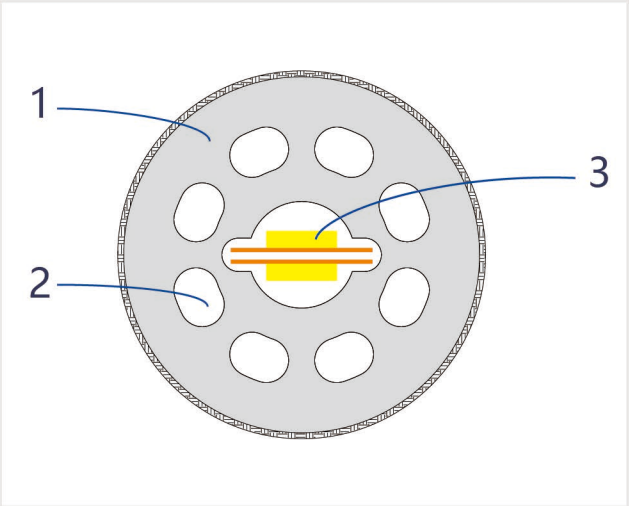
Side & Details parameter



Side (mm)

PCB width (MM)	8
section size (mm)	φ22
working temperature	-20~50°C
IP rating	IP67
beam angle	360°

Structure



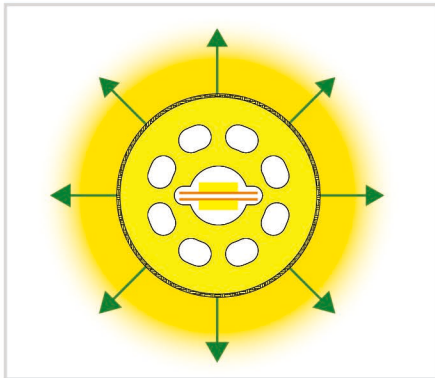
Section

1.Open layer: Spread the light

2.Diffusion Layer: diffusing lights

3.PCB : (1) PCB width: 8mm * 2





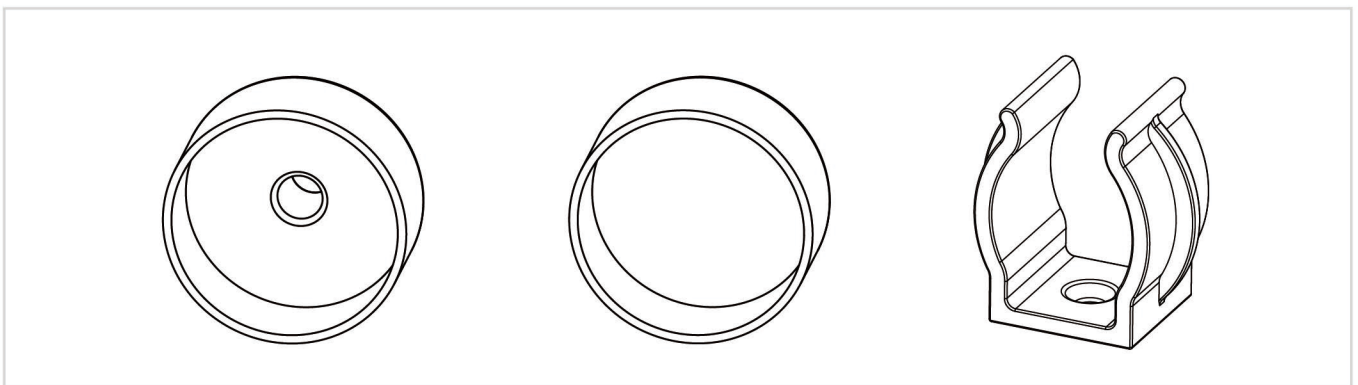
1. Professional design with continuous and uniform illumination, no led dot or dark spot. same color consist

2. Silicon housing UV&Flame&Heat resistant, stable performance in heavy weather.

3. Resistance to corrosion, acid and alkali. IP65 waterproof

4. Extremely flexible, easy to bend to any

Installation accessories

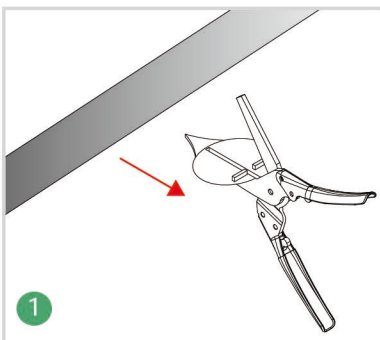


Cap with hole

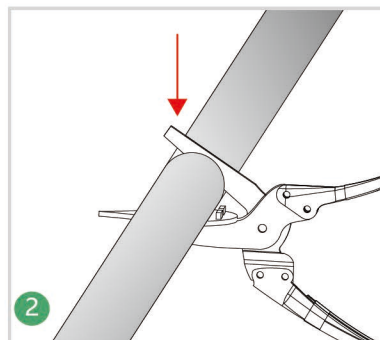
End cap no hole

Aluminum Clip

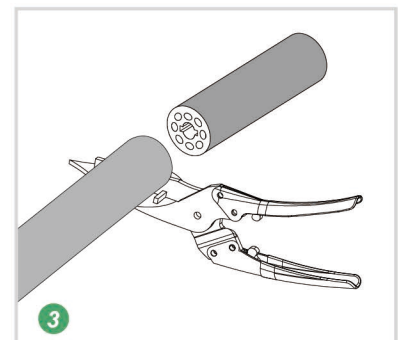
Cutting Method



1 Find cutting mark (Prevent the woven mesh from loosening and tie it with ropes in advance at the cutting position)

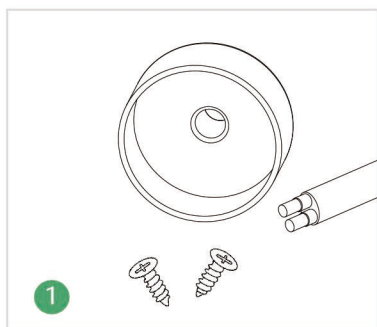


2 Cut the length as your request

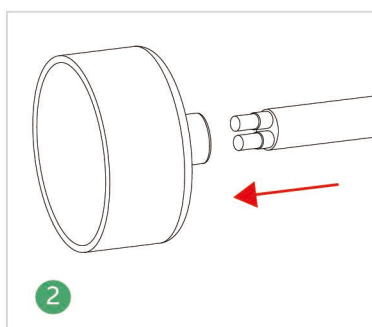


3 Finished

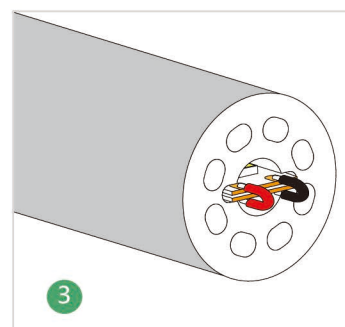
Straight/end cap installation



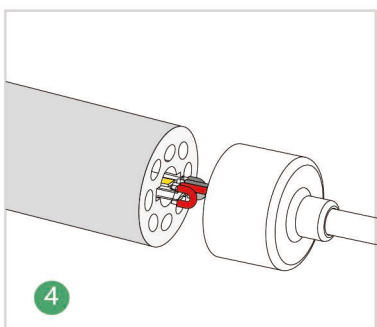
wire & end cap



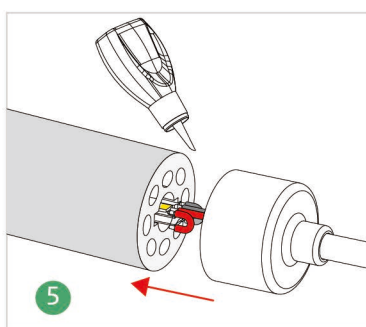
get through the wire as the arrow direction



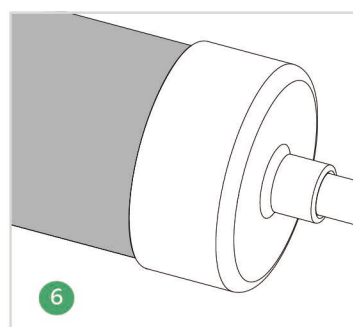
welding wires to the PCB
(red-positive and black-negative)



weld the wire through
cap to the PCB

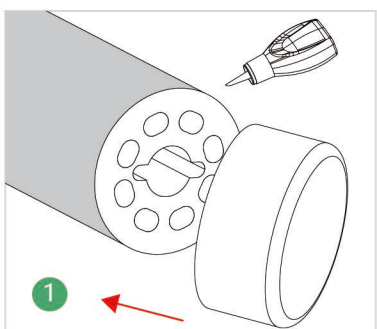


gluing cap

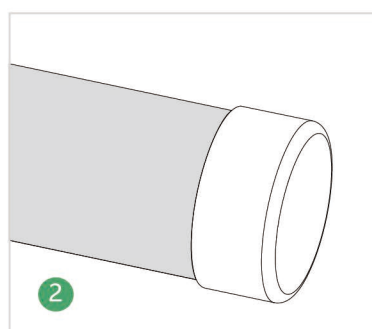


leave for 2-3 hours
packing after 12 hours

(Installation method of end cap)

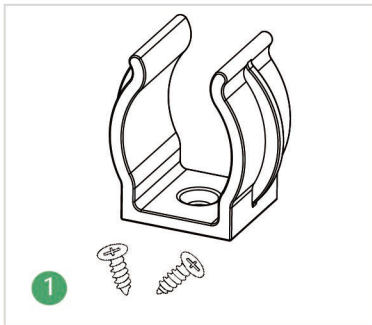


gluing end cap

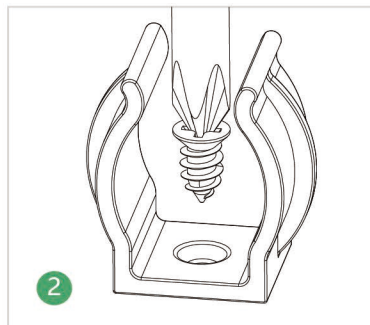


moving after 2-3 hours
packing after 12 hours

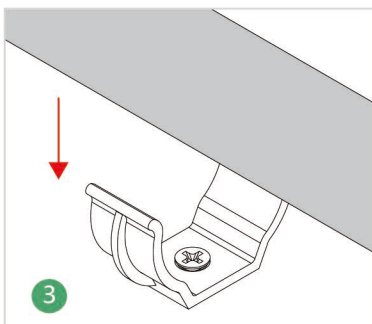
(Clip way)



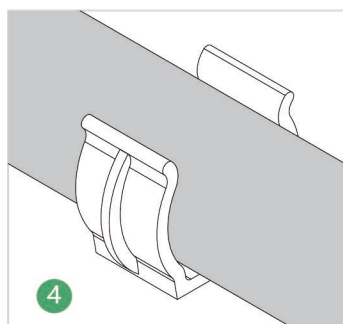
screws and clip



use screws to fix the clip



embed strip into clip
gently ,emitting view upward



completely embedded strip
into clip,finished