

## RF to 4 Channel 0/1-10V LED Dimmer

Model No.: L4-ML

AC or DC input/4 channel 0/1-10V signal output/AC relay output/Wireless remote control



FC CE RoHS EMC LVD RED

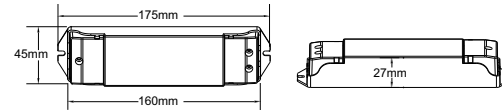
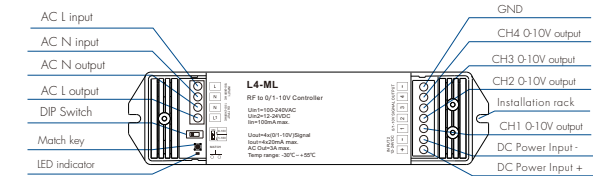
### Features

- RF to 4 channel 0-10V converter, powered by AC or DC input.
- Output 4 channel 0-10V signal, connect with 0/1-10V dimmable driver.
- High voltage AC input, High voltage AC relay output.
- 0-10V or 1-10V output selectable by DIP switch.
- 256 levels 0-100% dimming smoothly without any flash.
- Match with RF 2.4G single color, dual color and RGB/RGBW remote control.
- One RF controller accept up to 10 remote control.
- Auto-transmitting function: Controller automatically transmit signal to another controller with 30m control distance.
- Synchronize on multiple number of controllers.

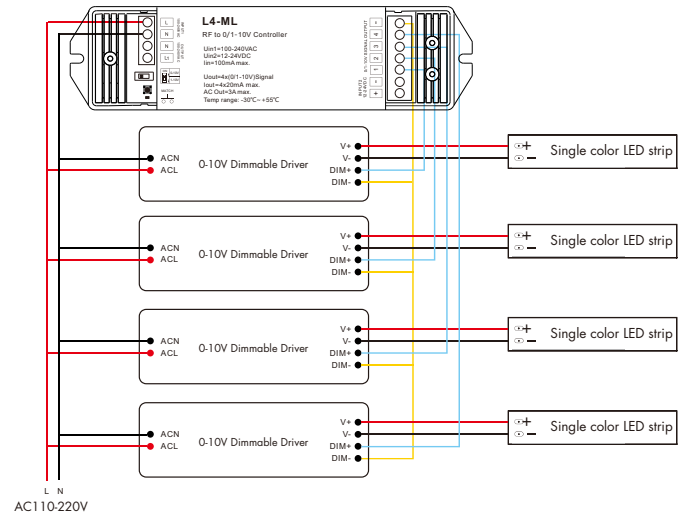
### Technical Parameters

| Input and Output        |                                | Dimming data            |                         |
|-------------------------|--------------------------------|-------------------------|-------------------------|
| Input voltage           | 100-240VAC<br>12-24VDC         | Input signal            | RF 2.4GHz               |
| Output signal           | 4 x 0/1-10VDC                  | Control distance        | 30m(Barrier-free space) |
| Output current          | 0/1-10V: 20mA/CH<br>AC: Max 3A | Dimming range           | 0-100%                  |
|                         |                                | Dimming curve           | Linear                  |
| Safety and EMC          |                                | Environment             |                         |
| EMC standard (EMC)      | EN301 489, EN 62479            | Operation temperature   | Ta: -30°C ~ +55°C       |
| Safety standard(LVD)    | EN60950                        | Case temperature (Max.) | Tc: +65°C               |
| Radio Equipment(REDE)   | EN300 328                      | IP rating               | IP20                    |
| Certification           | CE, EMC, LVD, RED              |                         |                         |
| Warranty and Protection |                                |                         |                         |
| Warranty                | 5 years                        |                         |                         |

### Mechanical Structures and Installations



### Wiring Diagram



**Note:**

1. User can connect AC100-240V power or DC12-24V power adapter as power input.
2. We recommend the number of LED drivers connected to each 0/1-10V output does not exceed 5 pieces, The maximum length of the wires from dimmer to LED driver should be no more than 15 meters.
3. If 0/1-10V dimming driver is less than 350W, we can use AC OUT port to cut off power input of the driver.
4. When use AC out port, an additional AC relay or contactor is needed when total input current of the load is higher than 3A or inrush current is greater than 30A.

**Match Remote Control (two match ways)**

End user can choose the suitable match/delete ways. Two options are offered for selection:

**Use the controller's Match key****Match:**

Short press match key, immediately press on/off key (single zone remote) or zone key (multiple zone remote) of the remote.

**Delete:**

Press and hold match key for 5s to delete all match, The light blinks 5 times means all matched remotes were deleted.

**Use Power Restart****Match:**

Switch off the power, then switch on power again, immediately short press on/off key (single zone remote) or zone key (multiple zone remote) 3 times on the remote. The light blinks 3 times means match is successful.

**Delete:**

Switch off the power, then switch on power again, immediately short press on/off key (single zone remote) or zone key (multiple zone remote) 5 times on the remote. The light blinks 5 times means all matched remotes were deleted.

**Available remote controller**

RS6  
4 Channel Dimming

RT1  
1 Zone Dimming

RT6  
4 Zone Dimming

**If you use one receiver, you have two choices:**

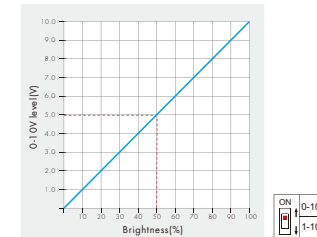
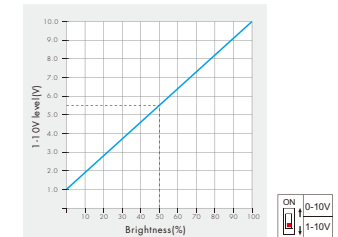
- Option 1: Match with RS6 4 channel dimming remote, 4 channel 0-10V signal can be controlled independently.  
Option 2: Match with RT1 one zone dimming remote, 4 channel 0-10V signal can be controlled synchronously.

**If you use multiple receivers, you have two choices:**

- Option 1: Match with RT1 one zone dimming remote, multiple receivers can be controlled synchronously, and 4 channel 0-10V signal of each receiver are same.  
Option 2: Match with RT6 four zone dimming remote, each receiver(one or more) in a different zone.

**0-10V or 1-10V dimming setting**

Select 0-10V dimmer or 1-10V dimmer according to dimmable LED driver.

**0-10V Dimmer****1-10V Dimmer****Note:**

When the output channel is off, the output dimming signal is 0V or 1V.  
Please read the dimming section of the dimming driver manual.  
If the dimming characteristic curve is the same as right, you must select 1-10V dimmer and use AC OUT function, otherwise you can't turn off the lights.

