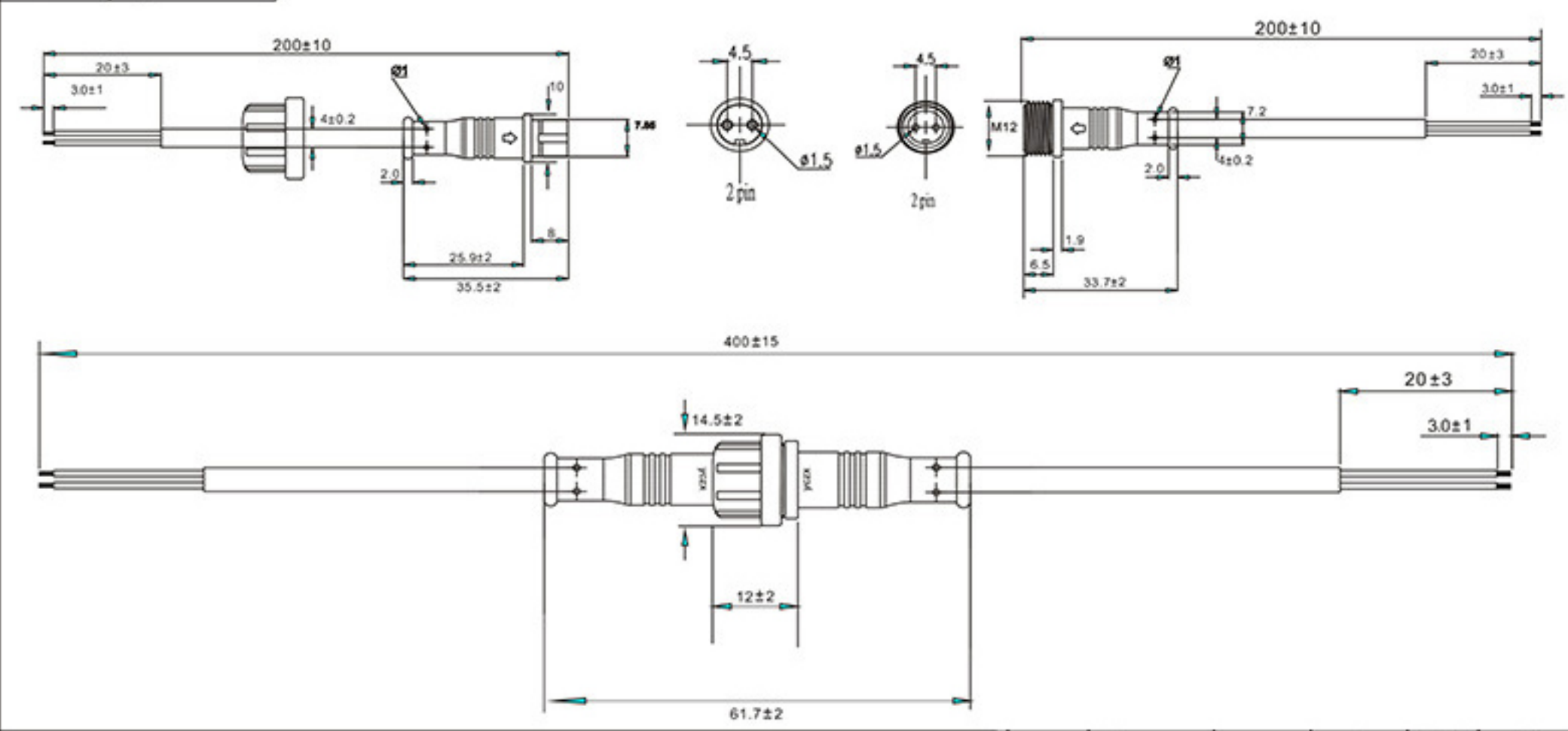
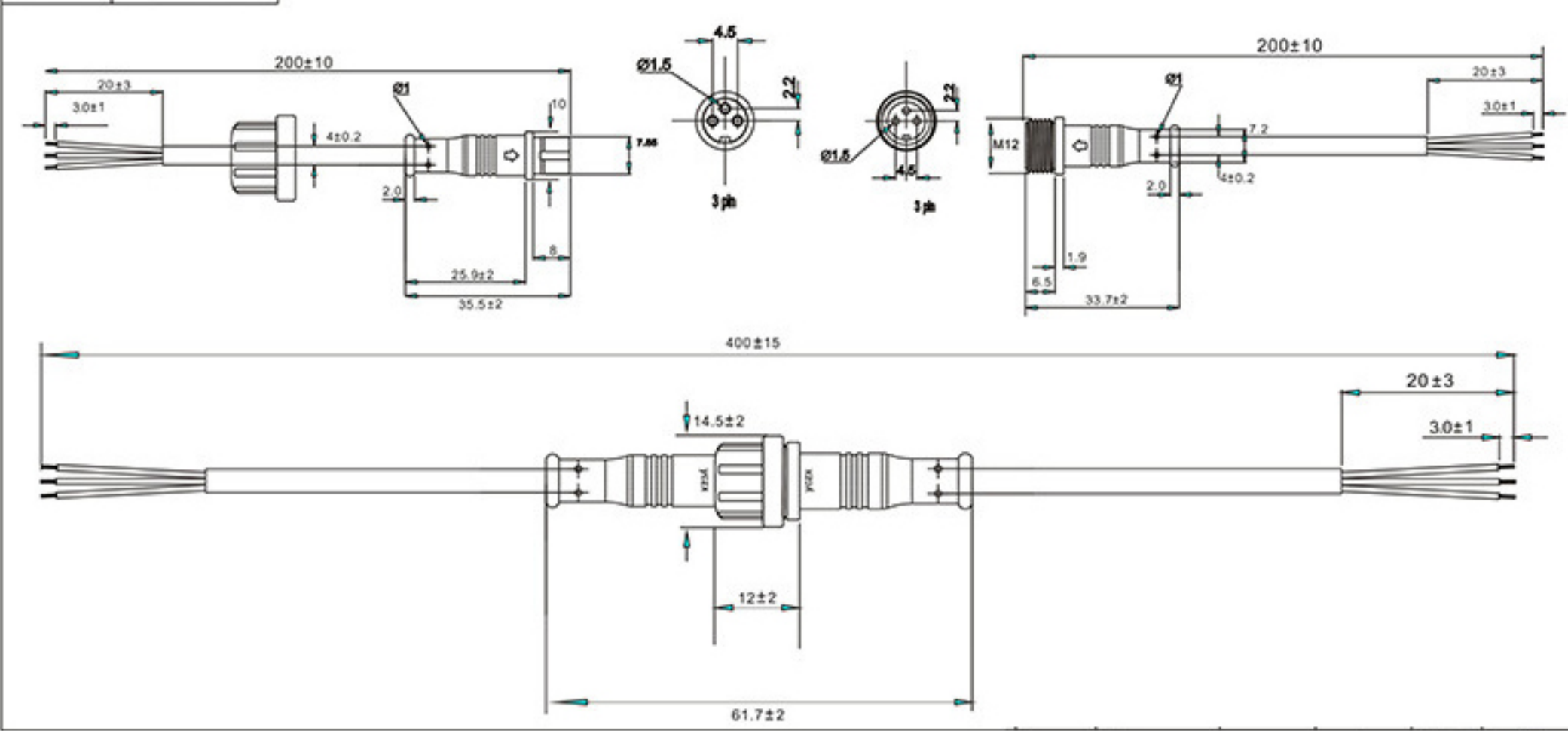


Small Waterproof IP68 Connector Size

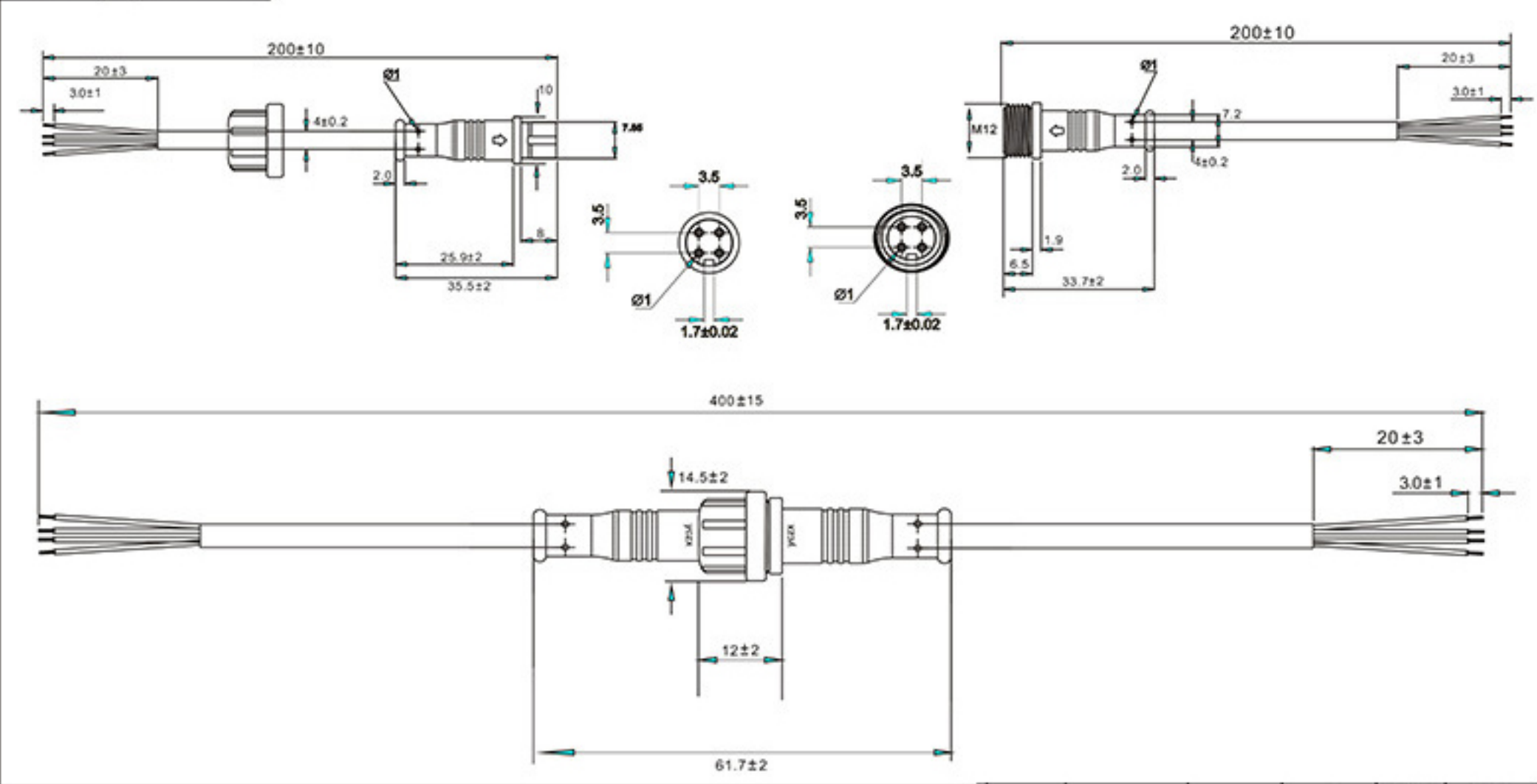
Products 2pin 0.3mm²



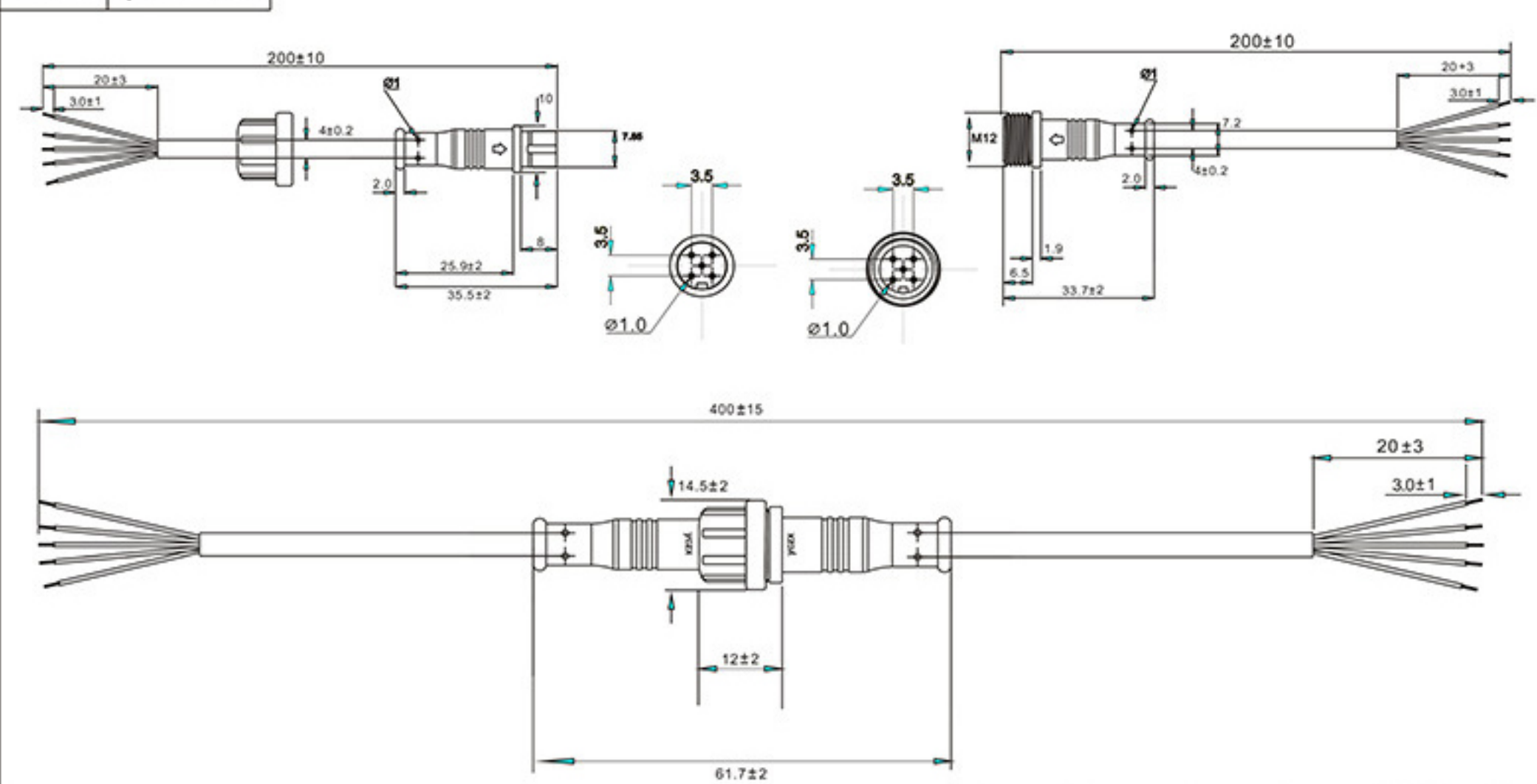
Products 3pin 0.3mm²



Products 4pin 0.2mm²

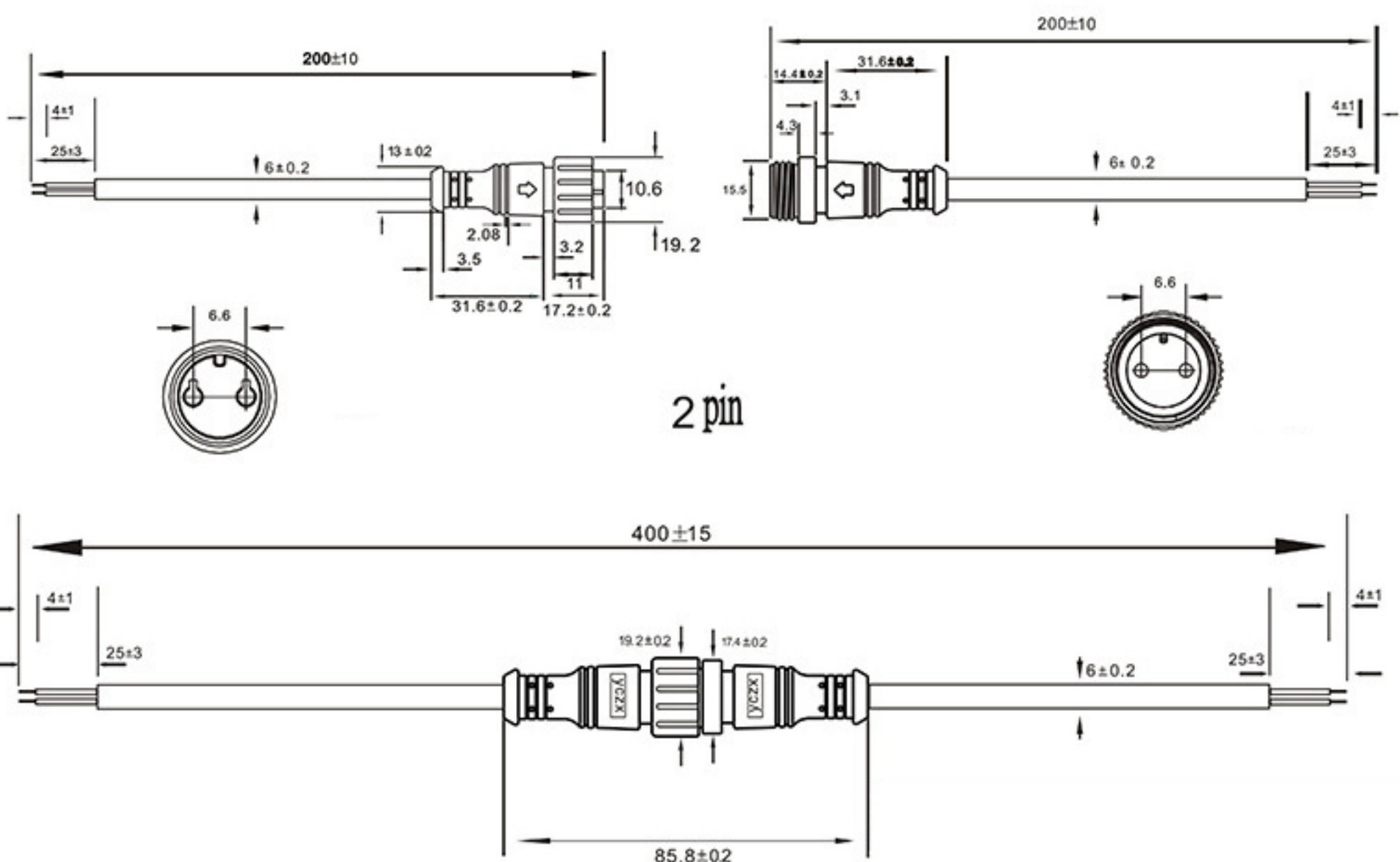


Products 5pin 0.2mm²

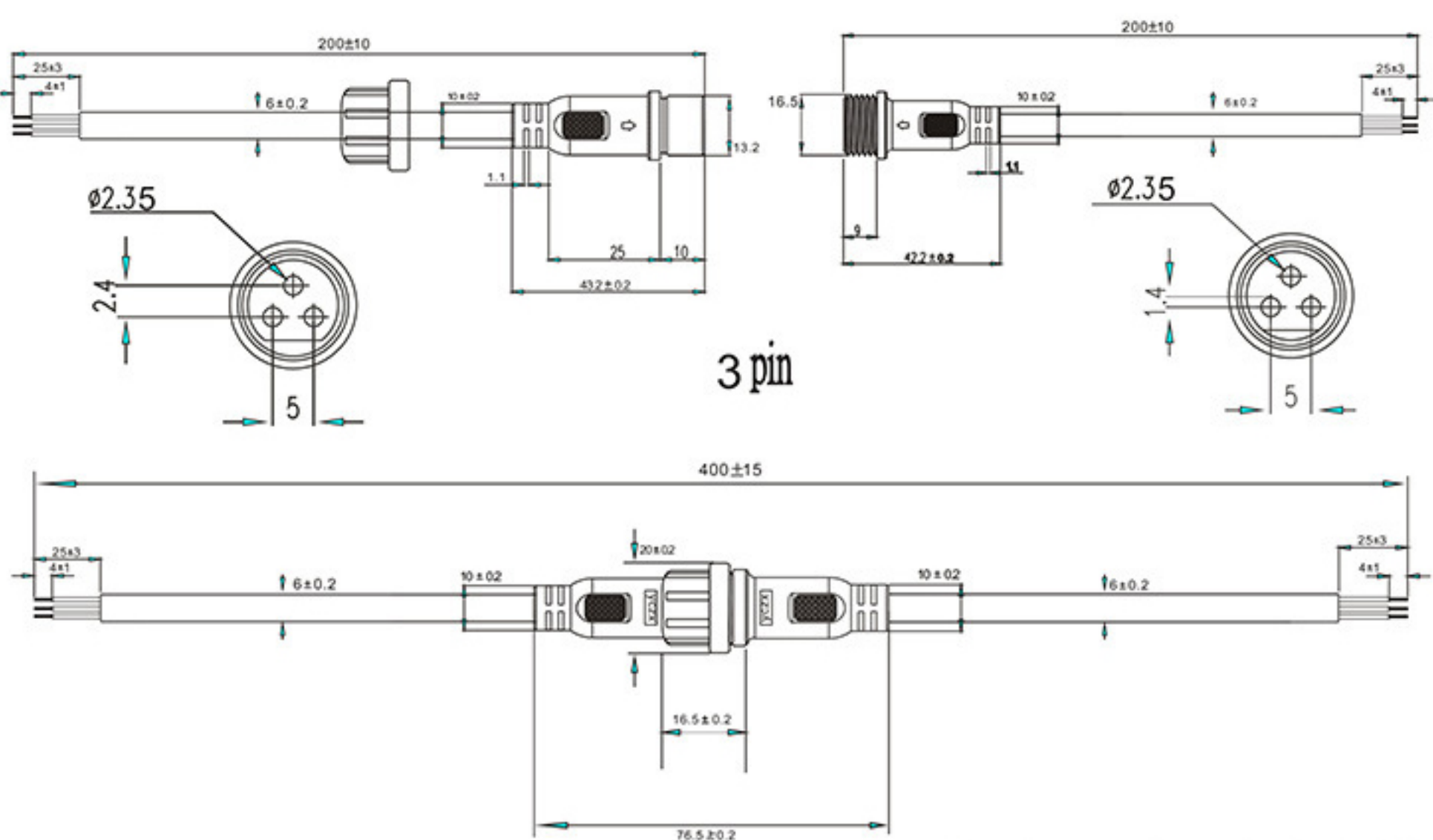


Large Waterproof IP68 Connector Size

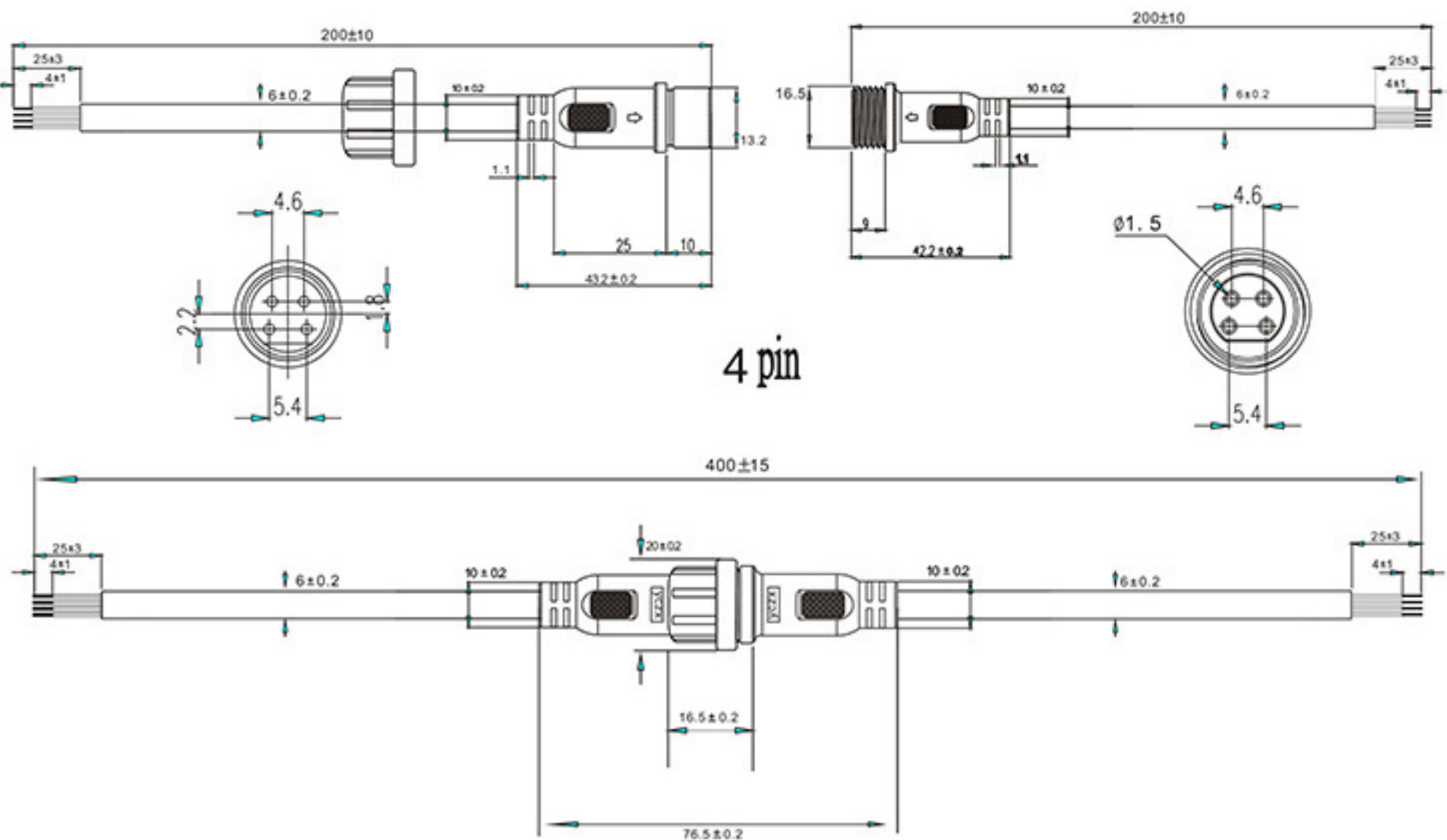
Products 2pin 0.75mm²



Products 3pin 0.75mm²



Products 4pin 0.5mm²



Products 5pin 0.3mm²

