



Product Specifications

NAME: Touch Panel RGB Controller

MODEL: TM01



Summarization

Touch panel controller is a new high-end controller which newly developed by our company. It adopts glass panel design, is beautiful and fashionable in appearance. It adopts high precision capacitance touch control chip, increases the touch sensitivity, reduces trigger which caused by mistake. It is used for controlling a variety of lamp whose source of light is LED. For instance, point source of light,flexible light strip, wall washer lamp, panel lights etc., it has many advantages such as convenient to connect, easy to use and others. According to the actual need of customers,it can carry out jumpy changing,gradual changing,strobflash and other effects of change.

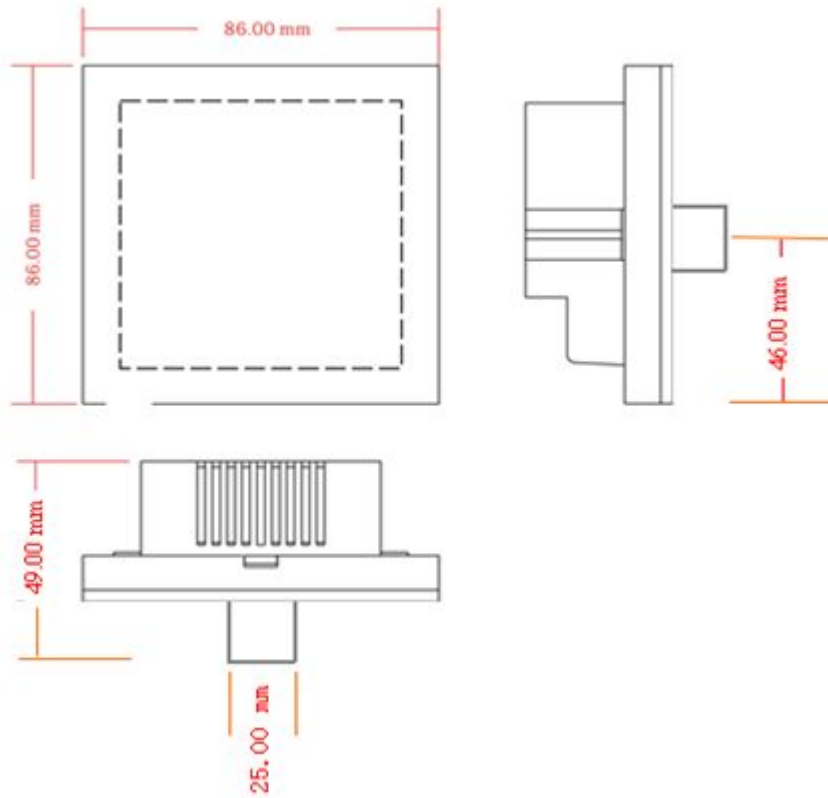
Technical Parameters

- working temperature: -20-60°C
- supply voltage: DC12-24V
- Output:3 Channels
- connection mode: common anode
- external dimension: L86 X W86 X H49 mm
- packing size: L115XW110XH57 mm
- net weight:140g
- gross weight: 195g
- static power consumption: <1W



- output current: <4A(each channel)
- output power: 12V<144W,24V<288W

External Dimension



Interface Specifications



- ① GND ② VCC Input ③ VCC Output ④ R Output ⑤ G Output ⑥ B Output

Instructions for use:

1、Buttons introduction:



: RGB Color adjustment Knob,The left-right rotating knob can adjust the light color.



: Mode increase key,specific modes are shown in the below sheet.



: Mode reduce key,specific modes are shown in the below sheet.



: Parameter reduce,adjust brightness in static mode,adjust speed in dynamic mode.



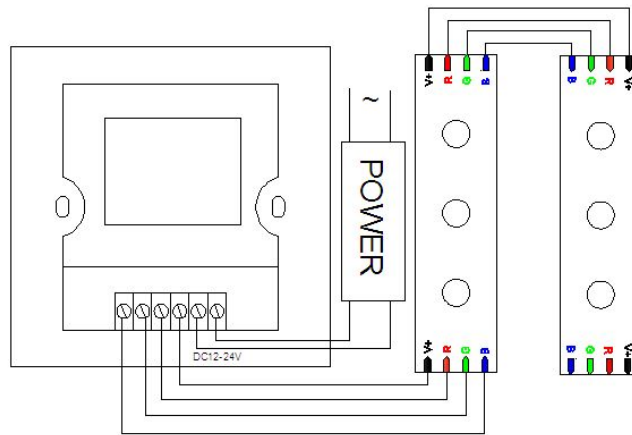
: Parameter increase,adjust brightness in static mode,adjust speed in dynamic mode.

2、Functional specification:

Mode Sheet:

Mode No.	Function	Remark
1	Static red	Brightness is adjustable, speed is not adjustable.
2	Static green	
3	Static blue	
4	Static yellow	
5	Static purple	
6	Static cyan	
7	Static white	
8	Three-color jumpy changing	Speed is adjustable, brightness is not adjustable
9	Three-color gradual changing	Speed is adjustable, brightness is not adjustable
10	Seven-color jumpy changing	Speed is adjustable, brightness is not adjustable
11	Seven-color gradual changing	Speed is adjustable, brightness is not adjustable

Typical Application



Installation Method

1. According to the interface description connect the corresponding line, please be careful not to connect the line reverse;
2. Use screw to fixed metal cardboard outside the cassette, as shown in below figure:



3. Make controller mount inside cassette, as shown in the figure below:



Remark

1. Connect the load wire at first, following by the power wire; **Please ensure short circuit can not occur between connecting wire before you turn on the power;**
2. The supply voltage of controller ranges in DC12V~DC24V, it may burn out the controller once exceed the voltage ranges.