



## *Product Specifications*

**NAME: Europe Standard Low-voltage Touch Panel Color Temperature Controller**

**MODEL: TM07E**



### **I. Summarization**

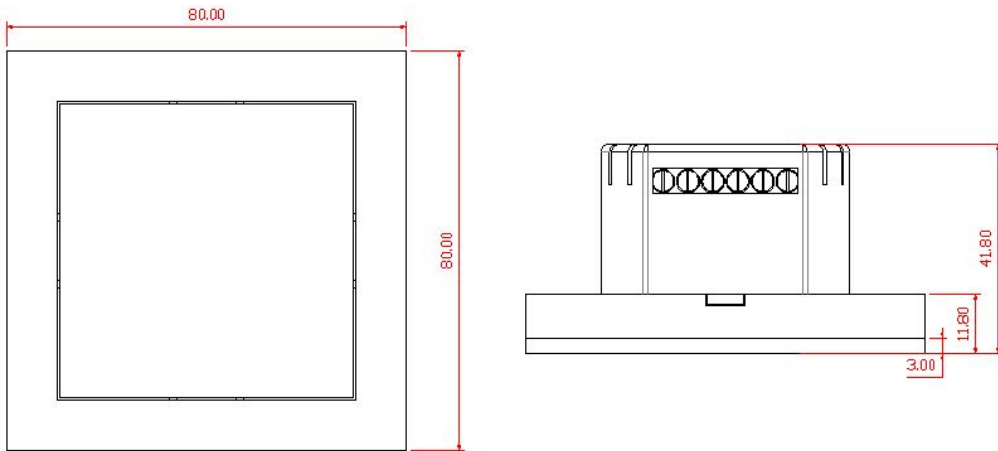
Touch panel controller is a new high-end controller which newly developed by our company. It adopts glass panel design, is beautiful and fashionable in appearance. It adopts high precision capacitance touch control chip, increases the touch sensitivity, reduces trigger which caused by mistake. It is used for controlling a variety of lamp whose source of light is LED. For instance, point source of light, flexible light strip, panel lights etc., it has many advantages such as convenient to connect, easy to use and others.

### **II. Technical Parameters**

- working temperature: -20-60 °C
- supply voltage: DC12~24V
- output voltage: DC12~24V
- output: 2 channels
- connection mode: common anode
- external dimension: L80 X W80 X H41.8 mm
- packing size: L105 X W105 X H53 mm
- net weight: 128g
- gross weight: 178g
- static power consumption: <1W
- output current: <4A (each channel)
- output power: DC12V<96W DC24V<196W



### III. External Dimension



Unit: mm

### IV. Interface Specifications



"1", "2": power input pins, input voltage range is 12-24V, "1" is negative pole, and "2" is positive pole.

"3", "4", "5": power output pins, output voltage is 12-24V, maximum output current is 8A, "3" is positive pole, "4" is interface of cool light, "5" is interface of warm light.

### V. Instruction for use:

#### 1. Description of function keys



: when touch the color ring, it will be switch to the static brightness whatever is in static mode or dynamic mode.



: you could turn on/off controller at any state; When the dimmer is turned on, long press the key for 3 seconds, you can turn on/off output of buzzer;



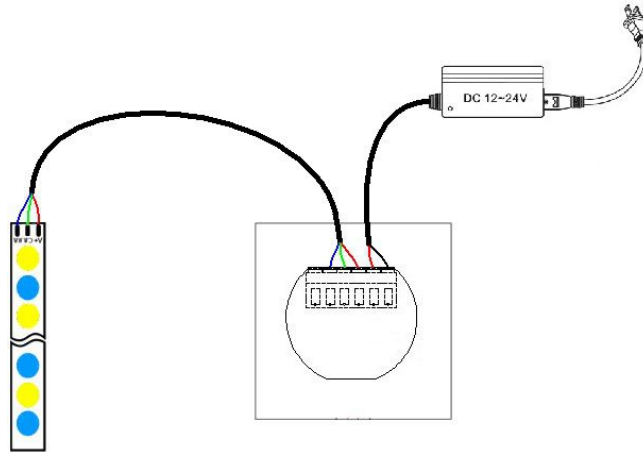
: brightness reduce, a total of 80 levels.



: brightness increase, a total of 80 levels.



## Typical Application



## Installation Method

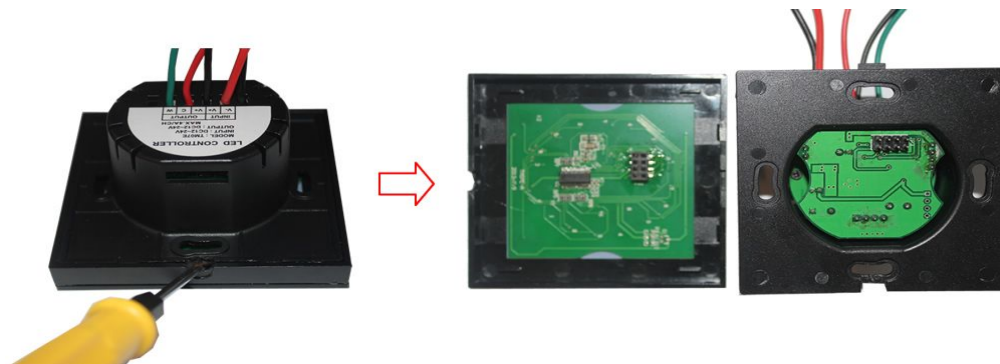
### 1. wiring

Connect wiring according to typical application. Refer to typical application;



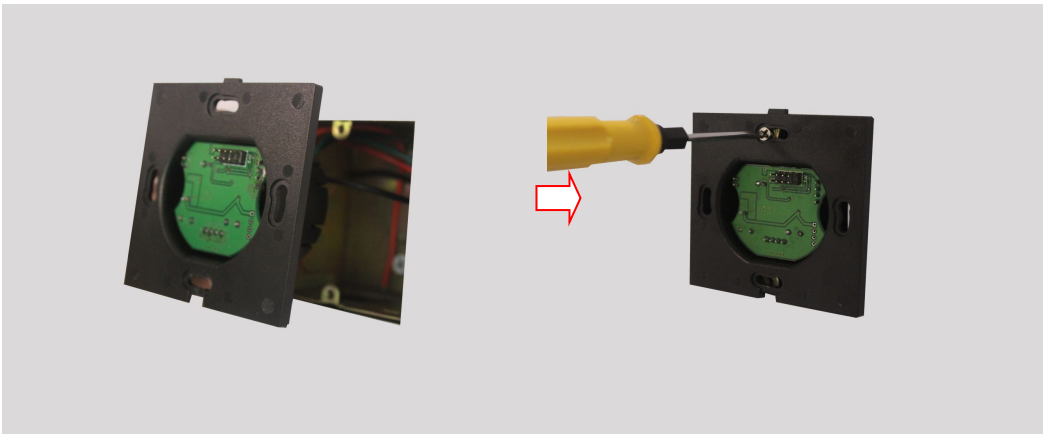
### 2. open touch panel

Gently pry gaps in touch panel with a screwdriver, and then you can slowly remove the panel, as shown below;



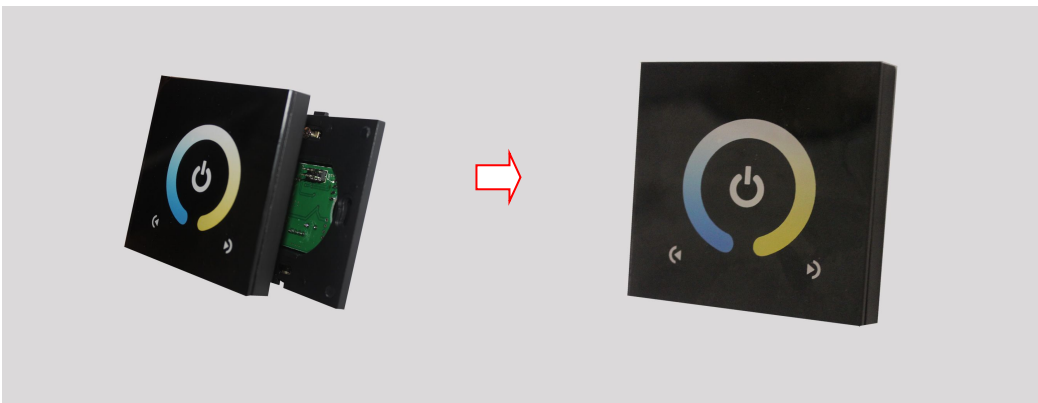
### 3. Install switch base

As shown in the picture, mount the controller on the cassette in the wall after connecting the wire, and then nail the screw, fix it on the wall, finally you can install the switch pedestal on the wall;



#### 4. Cover touch panel

Watch the direction of the panel and cover it as below:



#### Remarks

1. Connect the load wire at first, following by the power wire; **Please ensure short circuit can not occur between connecting wire before you turn on the power;**
2. The supply voltage of controller ranges in DC12-24V, it may burn out the controller once exceed the voltage.